



## Standard diaphragm pressure gauges Type D4



### Benefits

- For low pressure ranges
- High overpressure safety
- Robust design

### Application

For non-corrosive gaseous and liquid media. With open connection flange also suitable for viscous and polluted media. For measuring gas or vapour, observe the table "Selection Criteria as per EN 837-2" (see appendix)!

### Technical specifications

#### Type

D4

#### Nominal size

100 – 160

#### Accuracy class (EN 837-3/6)

1,6

#### Ranges (EN 837-3/5)

See ordering table

#### Application area

Static load: Full scale value

Dynamic load: 0.9 x full scale value

#### Overpressure safety

At least 5 x FS

Max. 40 bar

#### Operating temperature range

Medium: Max. 100 °C

Ambient: -20/+60 °C

#### Temperature performance

Indication error when the temperature of the measuring system deviates from the normal temperature of 20 °C: of full scale value

#### Degree of protection

IP54 (EN 60529)

### Standard version

#### Connection

Steel, bottom

Steel

Stainless steel 304

#### Measuring element

Diaphragm

Duratherm

Steel, galvanised

Stainless steel 316 Ti/316 L

#### Seal

NBR (Perbunan)

#### Movement

Brass

#### Dial

Aluminium, white

Scaling black

#### Pointer

Aluminium, black

#### Housing

Stainless steel 304, with blow-out

#### Bayonet type bezel

Stainless steel 304

#### Window

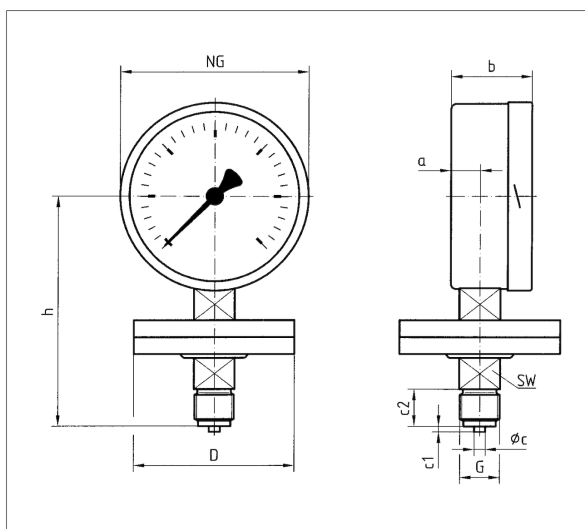
Instrument glass



## Options

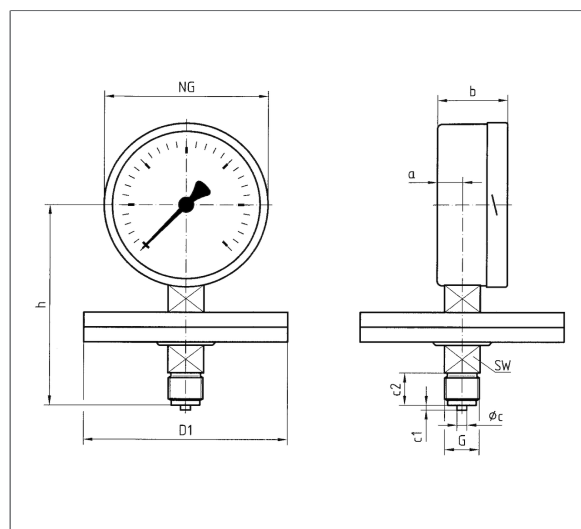
- Electrical contacts

## Technical drawings



Dimensions (mm)

NG	a	b	∅c	c1	c2	D	G	h	SW
100	20	55	6	3	20	100	G1½B	127	22



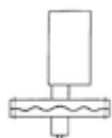
Dimensions (mm)

NG	a	b	∅c	c1	c2	D1	G	h	SW
160	20	55	6	3	20	160	G½B	156	22

## Versions

### PF100 D401

Housing ∅	Housing	Accuracy class	Range	Type	Part no.
100 mm	Stainless steel 304	1,6	0/0.4 bar	PF100 D401	85909401
100 mm	Stainless steel 304	1,6	0/0.6 bar	PF100 D401	85910401
100 mm	Stainless steel 304	1,6	0/1 bar	PF100 D401	85911401
100 mm	Stainless steel 304	1,6	0/1.6 bar	PF100 D401	85912401
100 mm	Stainless steel 304	1,6	0/2.5 bar	PF100 D401	85913401
100 mm	Stainless steel 304	1,6	0/4 bar	PF100 D401	85914401
100 mm	Stainless steel 304	1,6	0/6 bar	PF100 D401	85915401
100 mm	Stainless steel 304	1,6	0/10 bar	PF100 D401	85916401
100 mm	Stainless steel 304	1,6	0/16 bar	PF100 D401	85917401
100 mm	Stainless steel 304	1,6	0/25 bar	PF100 D401	85918401



Blue part no. = in-stock items



Housing $\varnothing$	Housing	Accuracy class	Range	Type	Part no.
100 mm	Stainless steel 304	1,6	0/10 mbar	PF100 D401	85901401
100 mm	Stainless steel 304	1,6	0/16 mbar	PF100 D401	85902401
100 mm	Stainless steel 304	1,6	0/25 mbar	PF100 D401	85903401
100 mm	Stainless steel 304	1,6	0/40 mbar	PF100 D401	85904401
100 mm	Stainless steel 304	1,6	0/60 mbar	PF100 D401	85905401
100 mm	Stainless steel 304	1,6	0/100 mbar	PF100 D401	85906401
100 mm	Stainless steel 304	1,6	0/160 mbar	PF100 D401	85907401
100 mm	Stainless steel 304	1,6	0/250 mbar	PF100 D401	85908401

Blue part no. = in-stock items

### PF160 D401

Housing $\varnothing$	Housing	Accuracy class	Range	Type	Part no.
160 mm	Stainless steel 304	1,6	0/0.4 bar	PF160 D401	85959401
160 mm	Stainless steel 304	1,6	0/0.6 bar	PF160 D401	85960401
160 mm	Stainless steel 304	1,6	0/1 bar	PF160 D401	85961401
160 mm	Stainless steel 304	1,6	0/1.6 bar	PF160 D401	85962401
160 mm	Stainless steel 304	1,6	0/2.5 bar	PF160 D401	85963401
160 mm	Stainless steel 304	1,6	0/4 bar	PF160 D401	85964401
160 mm	Stainless steel 304	1,6	0/6 bar	PF160 D401	85965401
160 mm	Stainless steel 304	1,6	0/10 bar	PF160 D401	85966401
160 mm	Stainless steel 304	1,6	0/16 bar	PF160 D401	85967401
160 mm	Stainless steel 304	1,6	0/25 bar	PF160 D401	85968401
160 mm	Stainless steel 304	1,6	0/10 mbar	PF160 D401	85951401
160 mm	Stainless steel 304	1,6	0/16 mbar	PF160 D401	85952401
160 mm	Stainless steel 304	1,6	0/25 mbar	PF160 D401	85953401
160 mm	Stainless steel 304	1,6	0/40 mbar	PF160 D401	85954401
160 mm	Stainless steel 304	1,6	0/60 mbar	PF160 D401	85955401
160 mm	Stainless steel 304	1,6	0/100 mbar	PF160 D401	85956401
160 mm	Stainless steel 304	1,6	0/160 mbar	PF160 D401	85957401
160 mm	Stainless steel 304	1,6	0/250 mbar	PF160 D401	85958401

Blue part no. = in-stock items

