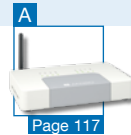


Wireless smoke alarm ASD



- Triggers an alarm before the smoke concentration becomes dangerous
- Wireless transmission, cyclically (function check) and in the case of state transitions
- Compact, unobtrusive design
- Additional room temperature measurement (ASD 10)



5

Application For detection of fumes and smoke gas in living spaces. Audible alarm when a defined smoke concentration is exceeded.

Description The photoelectric smoke alarm ASD consists of a sensor head and a mounting base with integrated EnOcean® wireless module. The sensor head features a permanently installed lithium battery with a service life of up to 10 years for reliable, long-term fire protection. A fire alarm is indicated by an alarm tone with approx. 85 dB and a flashing LED. The alarms are transmitted via the EnOcean® wireless module.

In addition, ASD 10 transmits the ambient temperature. A photovoltaic cell generates the required energy. A battery can be inserted in the base for use in darker environments.

Wireless smoke alarm ASD 10 with transmission of fire alarm and current room temperature.

Wireless smoke alarm ASD 20 with transmission of fire alarm and battery state at the mounting base for EnOcean® wireless module.

The AFRISOhome gateway lets you program a great variety of scenarios for an alarm, for example switching on the lights for the escape route, opening of shutters for escaping, push messages, etc. The EnOcean® wireless module is not only used for transmission, but also for regular function checks.

Technical specifications

Operating temperature range

Ambient: 0/+40 °C

Storage: -20/+60 °C

Max. humidity, non-condensing

Supply voltage

Sensor head: Permanently installed lithium battery

Base: Energy harvesting (via photovoltaic cell) or 1/2 AA lithium battery, DC 3.6 V (with daylight less than 200 lx)

Housing

Plastic housing (PC)

Colour: White, similar to RAL 9003

ø x H: 87 x 48 mm

Weight: 38 g

Degree of

protection: IP 54 (EN 60529)

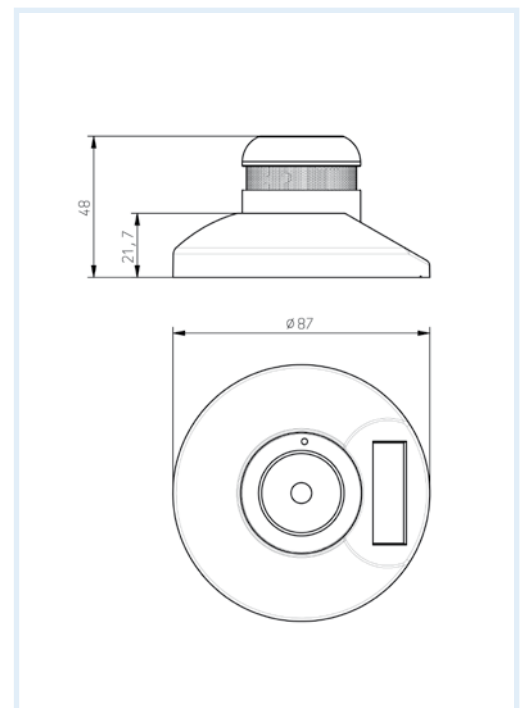
EnOcean® wireless

EEP: A5-30-03 (ASD10)/
F6-05-02 (ASD20)

Frequency: 868.3 MHz

Transmission power: Max. 10 mW

Range: 10 to 30 m (depending on room arrangement and materials in the building)



See operating instructions for detailed information on the range of the EnOcean® wireless module.

DG: L, PG: 4	Part no.	Price €
Wireless smoke alarm ASD 10	61245	
Wireless smoke alarm ASD 20	61249	
Spare part		
Sensor head smoke alarm ASD 10 SH	61246	