

Bimetal thermometers with plastic housing for heating/plumbing applications



BiTh 40 K with plug-on

Application Heating, plumbing, distribution systems, underfloor heating manifolds

Technical specifications

Nominal size
40

Measuring element
Bimetal spiral

Ranges
0/60 °C

Application area
Full scale value

Operating pressure
No pressure

Standard version

Connection
Plastic, plug-on,
Ø 15 mm, no thermowell

Mounting position
Centre back

Dial
Plastic, white –
dial marking black

Pointer
Plastic, black

Housing
ABS, white

Window
Clip-on plastic



BiTh 50 K with plastic thermowell

Heating, plumbing, distribution systems, underfloor heating manifolds

Nominal size
50

Measuring element
Bimetal helix

Ranges
0/60 °C

Application area
Full scale value

Operating pressure at thermowell
Max. 6 bar

Connection
Stem plastic,
Ø 9 mm, thermowell G½B,
plastic, removable

Mounting position
Centre back

Dial
Plastic, white –
dial marking black

Pointer
Plastic, black

Housing
ABS, white

Window
Clip-in plastic



BiTh 63 K with brass thermowell

Heating, plumbing

Nominal size
63 – 80 – 100

Measuring element
Bimetal helix

Ranges
-20/+60, 0/60, 0/120 °C

Application area
Full scale value

Operating pressure at thermowell
Max. 6 bar

Connection
Stem plastic, brass or aluminium, Ø 9 mm, thermowell G½B, brass, removable, stem length 40 mm or thread, self-sealing, with PTFE sealing ring

Mounting position
Centre back
(NG 63 bottom back optional)

Dial
Plastic, white –
dial marking black

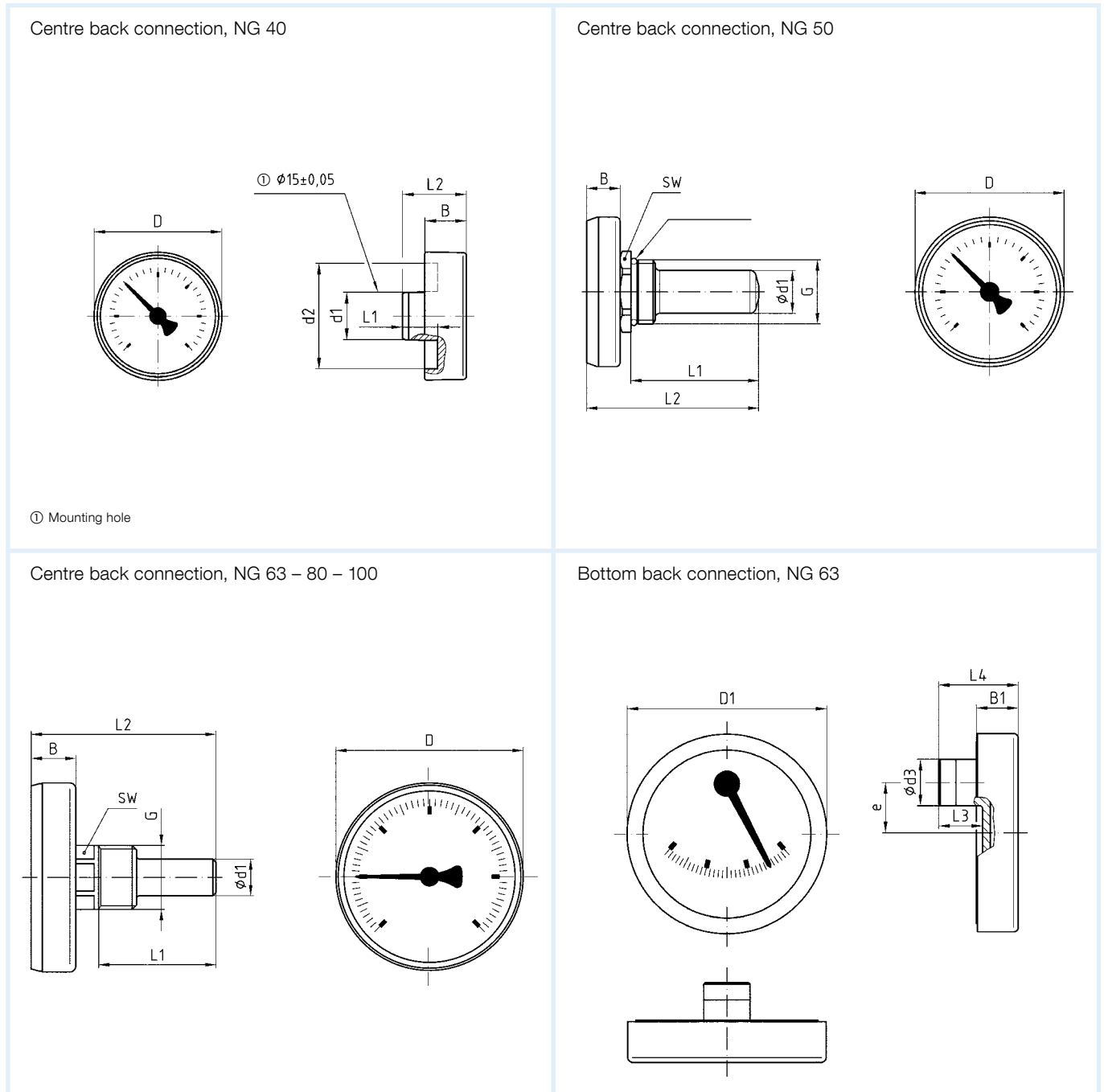
Pointer
Plastic, black

Housing
ABS, black

Window
Clip-in plastic

Bimetal thermometers for heating and plumbing applications

Housing types and dimensions (mm)



11

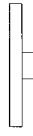
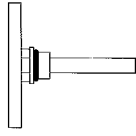
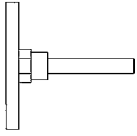
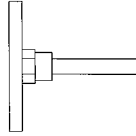
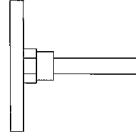
Dimensions (mm)

Nominal size (NG)	B	B ₁	D	D ₁	d ₁	d ₂	d ₃	e	G	L ₁	L ₂	L ₃	L ₄	SW
40	13	–	40	–	14.8	33	–	–	–	11	50	–	–	–
50	11	–	49	–	14	–	–	–	G _{1/2} B	42	56.5	–	–	24
63	14.7	13	62	63.5	12	–	15	16	G _{1/2} B	40/63/100/ 150/200	61/85/122/ 172/222	14	25	19
80	14.8	–	79	–	12	–	–	G _{1/2} B	–			–	19	
100	15	–	100	–	12	–	–	G _{1/2} B	–			–	19	

Bimetal thermometers for heating and plumbing applications

DG: G, PG: 1

DG: G, PG: 2

Type	BiTh 40 K	BiTh 50 K	BiTh 63 K	BiTh 80 K	BiTh 100 K					
Version										
Housing Ø	40	50	63	80	100					
Housing	Plastic (ABS), white		Plastic (ABS), black, window (plastic clip-in)							
Stem	Plastic, Ø 15 mm	Plastic, Ø 9 mm	Plastic, brass or aluminium, Ø 9 mm							
Connection	Plastic, plug-on, no thermowell	Thermowell G½B, plastic	Thermowell G½B, brass, Ø 12 mm outside, removable							
Accuracy class	Class 2 as per EN 13190									
Range (bar)	-20/+60 °C	-20/+60 °C	-20/+60 °C	-20/+60 °C	-20/+60 °C					
Stem length		PU*	PU*	Price € Part no.	PU*	Price € Part no.	PU*	Price € Part no.	PU*	
40 mm	---			63763	100	63776	100	63676	50	
63 mm	---			63769	100	63777	100	63677	50	
100 mm	---			63770	100	63778	50	63678	50	
150 mm	---			63771	50	63779	40	63679	25	
Range	0/60 °C	0/60 °C	0/60 °C	0/60 °C	0/60 °C	0/60 °C	0/60 °C	0/60 °C	0/60 °C	
Stem length	Price € Part no.		Price € Part no.		Price € Part no.		Price € Part no.		Price € Part no.	
40 mm	64066 (See drawing for stem)	100	63749	100	63760	100	63765	100	63698	50
63 mm			---		63761	100	63766	100	63699	50
100 mm			---		63762	100	63767	50	63700	50
150 mm			---		63764	50	63768	40	63701	52
Range	0/120 °C	0/120 °C	0/120 °C	0/120 °C	0/120 °C	0/120 °C	0/120 °C	0/120 °C	0/120 °C	
Stem length	Price € Part no.		Price € Part no.		Price € Part no.		Price € Part no.		Price € Part no.	
40 mm with PTFE sealing ring	---		---		63702	100	63706	100	63684	50
40 mm	---		---		63704	100	63708	100	63997	50
63 mm	---		---		63710	100	63715	100	63695	50
100 mm	---		---		63711	100	63716	50	63696	50
150 mm	---		---		63714	50	63717	40	63697	25
200 mm	---		---		---				63671	10

* Minimum order quantity for non-stock items 1 PU (packing unit); delivery only in packing units.

Spare thermowells

Connection G½B, brass			
Stem length	PG	Part no.	Price
40 mm with PTFE sealing ring	2	63685	
40 mm	2	63856	
63 mm	2	63686	
100 mm	2	63687	
150 mm	2	63688	