

Wall mounting rail probe WSS



Application

For the detection of conductive liquids such as rainwater, tap water, fresh water, waste water, cooling water and heating water.

Versions

	Part no.
Wall mounting rail probe WSS	55050

Blue part no. = in-stock items

Description

Height-adjustable wall mounting rail probe suitable for WWG 2, ELT 8, ELT 680 and ELT 500/4. The probe is mounted to the wall at the object to be monitored. The desired response level (distance from probe to floor) is adjusted via the wall mounting rail. The alarm is triggered by the connected alarm unit when the probe comes into contact with liquid.

Technical specifications

Dimensions

W x H x D: 37 x 320 x 55 mm

Height-adjustable

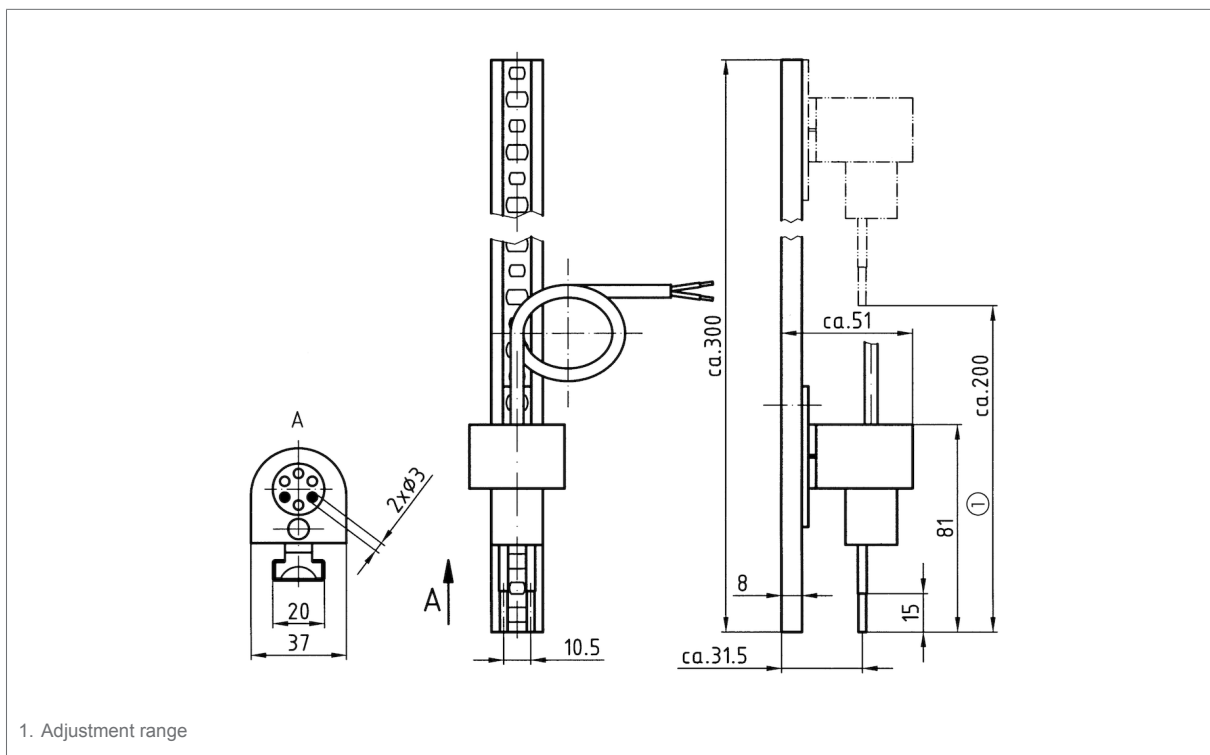
Approx. 200 mm

Cable length

1.5 m

Detail views

wall mounting rail probe WSS



Technical drawings

wall mounting rail probe WSS

