

Domestic water system centre HWSC

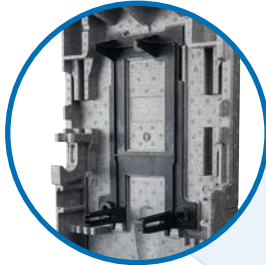


reddot design award
winner 2013

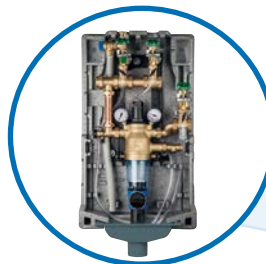
Heat-insulated assembly
with transparent door for easy
monitoring and backwashing
(mark via memory pointer)

Pressure-reduced supply
outlet with backflow
preventer, safety valve and
drain hose

CILP connections for an
easy fitting of pipes



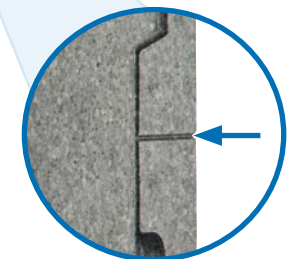
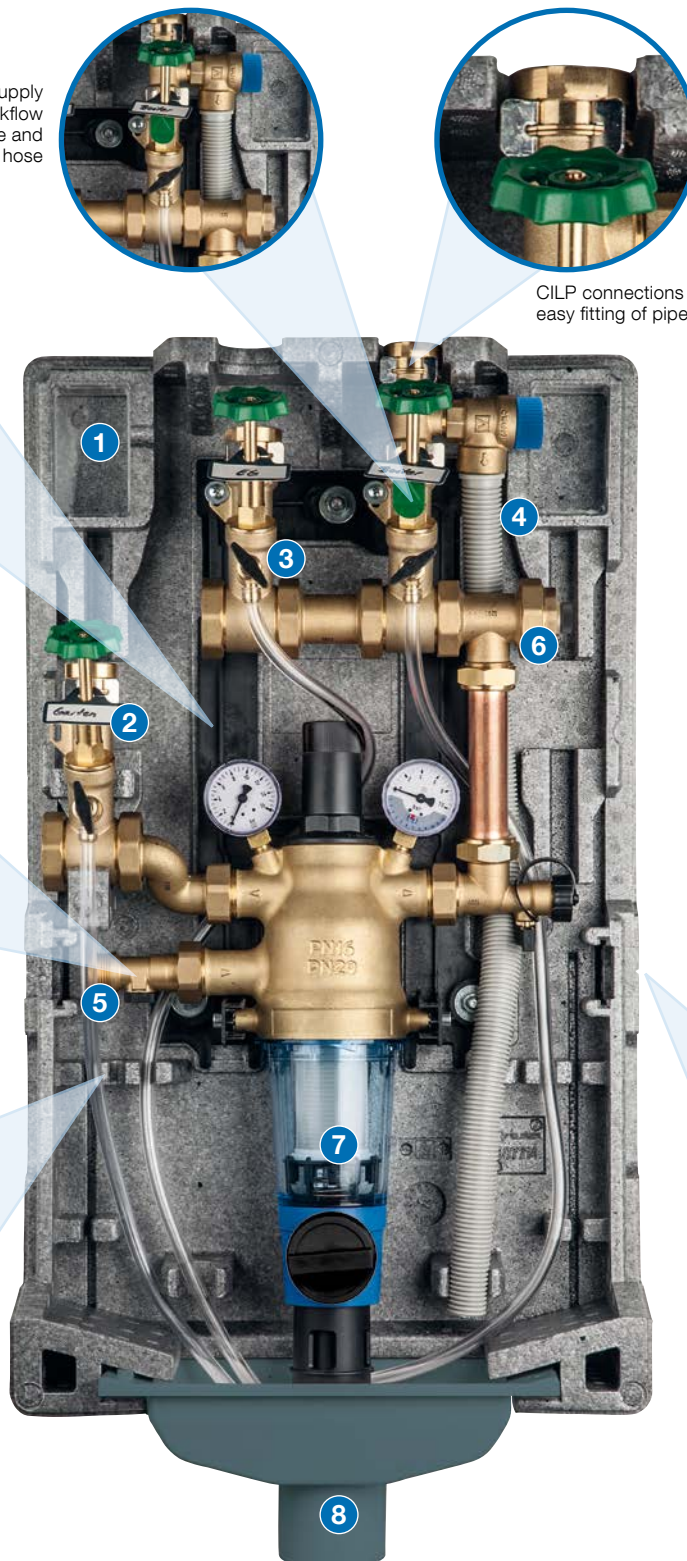
Sophisticated wall brack-
et with 3-point fixing
via hanger bolts for fast
and easy mounting, even if
the wall is not level.



Fast and easy conversion
of connection from left to right.
Only a few parts need to be
dismounted. Interfaces are
already defined in the insulati-
on



Guides in the insulation for pro-
fessional installation of the drain
and outlet hoses



Mark at standard height
of water meter (0.90 –
1.10 m) as a mounting
aid

9

- | | |
|--|--|
| <p>1 Storage compartment for spare seals/silicone grease</p> <p>2 Filtered high pressure outlet (as per DIN 1988), e.g. for garden line</p> <p>3 Pressure-reduced supply outlets with drain hoses (1 outlet with backflow preventer)</p> <p>4 Safety valve (6 bar) outlet hose</p> | <p>5 Backflow preventer, DVGW approval</p> <p>6 Connection G$\frac{1}{4}$ for sampling valve</p> <p>7 Filter combination with fine filter and pressure reducer, DVGW approval</p> <p>8 Drain unit consisting of funnel (DN 75) and reducing adaptor (DN 75/DN 50)</p> |
|--|--|

Domestic water system centre HWSC



- **Extremely compact system centre**
395 x 760 mm (W x H)
- **Lightning-fast, easy installation**
- **Innovative backwashing system** – fast and thorough cleaning of the filter element, low water consumption
- **Modular design:** Can be extended by additional pressure-reduced outlets, automatic backwashing unit, refill combinations, etc.



Automatic backwashing unit RA 01 (accessory) for setting the time intervals



reddot design award
winner 2013

Application For drinking water installations as per EN 806, DIN 1988 and DIN 4753-1. The system centre combines all functions of conventional water distribution installations in a small-footprint unit: the pressure reducer reduces the inlet pressure to an even, system-specific pressure in order to protect the installation and to ensure economical water consumption. The water filter keeps pollutants such as rust particles or sand grains from reaching the domestic water installation, thus protecting valves, machines, boilers, etc. from malfunctions caused by dirt. With its straightforward design and unobtrusive colour, the domestic water system centre fits in perfectly with modern equipment rooms, basements and utility rooms.

Description Compact, tightness-tested domestic water system centre as a complete solution for the distribution of drinking water in buildings. The base version of HWSC consists of a backflow preventer, filter combination with fine filter and pressure reducer, drain unit with connection possibility to the wastewater system, three supply outlets, safety valve and all function components. The individual components are DVGW-certified or comply with the DVGW regulations. The assembly is contained in a form-fit insulation for easy access and operation. The integrated transparent front door allows for checking the system pressure and the safety valves and provides easy access to start backwashing; it is not necessary to remove the upper part of the insulation. The memory pointer on the door lets you set the date for the next backwashing procedure.

HWSC excels with a dramatic reduction of the installation time: a drilling template is shipped with the unit for precise positioning of the three holes. Hanger bolts allow for precise adjustment of the domestic water system centre to the wall and enable easy horizontal and vertical alignment. HWSC features a variable height adjustment from 65 to 115 mm to allow for precise adaptation to the individual distance of the water meter from the wall. The default connection setting is intended for left-side connection, but HWSC can be converted to right-side connection in a matter of minutes.

The integrated filter combination features an innovative backwashing system with rotating impeller which ensures fast and thorough cleaning of the fine filter and low water consumption. The entire sieve surface of the filter insert is cleaned at high pressure. The pressure reducer reduces the inlet pressure to an even, system-specific pressure; part of the water flows directly and without pressure reduction to the high-pressure outlet for the garden line. If this is not required, it can be converted into an additional pressure-reduced supply outlet. The insulation can accommodate up to four supply outlets; any additional outlets must be mounted outside the insulation. Due to the modular design and the defined connections, it is easy to fit extensions with an automatic backwashing unit, a refill combination for filling heating systems and the connection of a sampling valve or a water softening system.



Door for fast checking the system pressure, the safety valve or for starting backwashing.

Domestic water system centre HWSC

Technical specifications

Medium

Drinking water

Inlet pressure

Max. 16 bar

Operating temperature range

Medium: 5/30 °C

Mounting position

Vertical

Supply outlets to the top

Dimensions (housing)

W x H x D: 395 x 665 x 210 mm

Weight

Approx. 12 kg

Connection drinking water

Inlet: R1

Supply system: G $\frac{3}{4}$ female thread

Connection waste water

DN50, DN75

Material

Fittings: Brass (CW617N)

Insulation: Polypropylene EPP

Filter housing: Brass (dezincification-resistant)

Fine filter: Non-corroding steel

Seals: EPDM

DVGW approval

All components are DVGW-conform. Components with DVGW approval: filter combination, backflow preventer, seals

SVGW approval

Components with SVGW approval:

Filter combination

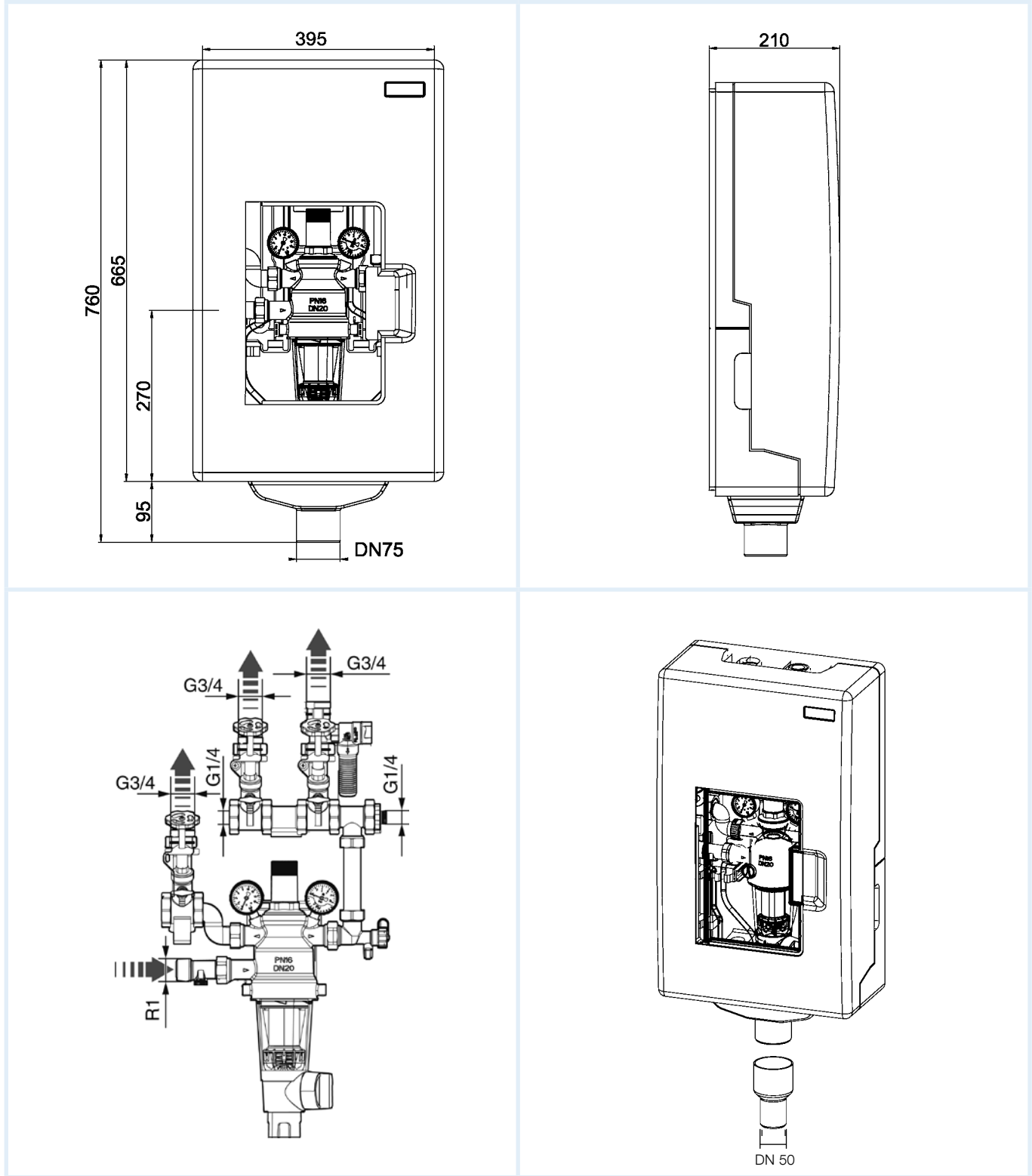
Certificate no. 1310-6204



DG: M	PG	Part no.	Price €
Domestic water system centre HWSC	2	42755	
Connection kit for refilling of heating system	2	42757	
Connection kit for water softening	2	42756	
Extension supply outlet G$\frac{3}{4}$ female thread	2	42758	
Automatic backwashing unit RA 01	4	42739	

Domestic water system centre HWSC

Dimensions (mm)



9