



In-line chemical seal RD 60 for hygienic processes



Benefits

- For clamp connection ISO 2852
- No T piece required in pipe
- Easy, fast installation in pipe

Application

For use with Bourdon tube pressure gauges, pressure transducers or pressure switches. For flowing, corrosive and highly viscous media; designed for direct installation in pipes. Typical application areas:

- Biochemical applications
- Food and luxury food industry
- Beverages industry
- Pharmaceutical industry

Versions

clamp connection ISO 2852

	Process connection	Instrument connection	Nominal pressure	Minimum range* (in bar) at nominal size				Part no.
				63	100	160	DMU	
	DN 1"	Welded connection	PN 16	1.6 bar	2.5 bar	–	1.6 bar	31377W
	DN 1½"	Welded connection	PN 16	1.6 bar	2.5 bar	4 bar	1.6 bar	31378W
	DN 2"	Welded connection	PN 16	1.6 bar	2.5 bar	2.5 bar	1 bar	31379W
	DN 2½"	Welded connection	PN 16	1.6 bar	2.5 bar	2.5 bar	1 bar	31380W
	DN 3"	Welded connection	PN 10	1.6 bar	2.5 bar	2.5 bar	1 bar	31381W

Blue part no. = in-stock items



Technical specifications

Process connection/tubus

Stainless steel 316 L
Clamp connection ISO 2852

Diaphragm

Stainless steel 316 L, welded to body, no dead space

Instrument connection

Stainless steel 316 L
Welded connection

Pressure transmission liquid

Paraffin oil (FM 09), FDA-listed

Pressure range

See ordering table

Nominal pressure

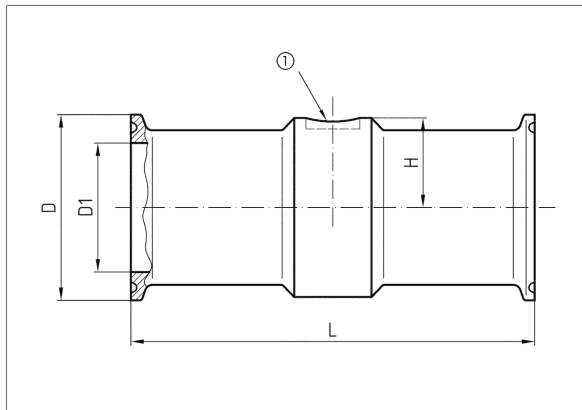
PN 16, PN 10

Options

- Capillary tube

Technical drawings

Type RD 60 Clamp ISO 2852



DN	PN	D	D1	L	H
1"	16	50,5	22,2	110	24
1½"	16	50,5	34,8	110	31,5
2"	16	64	47,8	110	37
2½"	16	77,5	60,3	110	45
3"	10	91	72,9	60	51,5