

Accessories for gas alarm units/gas sensors

Test gas bag PGT 10

Application For checking, servicing and repairing gas alarm systems.

Description Nylon bag with test gas cap and withdrawal unit (valve, flow meter with stainless steel float for gas flow regulation from 0.5–1.5 l/min and test gas tube). Can accommodate 1 to 3 test gas cylinders.

Calibration gas not included in scope of delivery; please order separately.



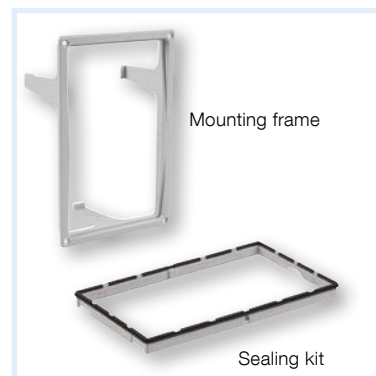
Test gas bag PGT 10

Mounting frame

Description Suitable for all wall mounting housings of the WATCHDOG-LINE series (alarm units). For fast integration in control cabinets.

Dimensions housing

W x H x D 100 x 188 x 65 mm



Mounting frame

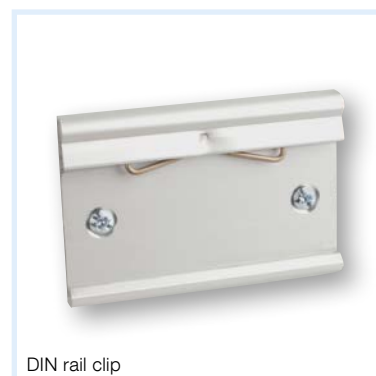
Sealing kit

Sealing kit (IP 54)

Description Sealing kit for rough application conditions. Suitable for all wall mounting housings of the WATCHDOG-LINE series (alarm units). The sealing kit is easy to mount between the housing cover and base. This increases the degree of protection of the alarm unit to IP 54.

Dimensions housing

W x H x D: 100 x 188 x 65 mm



DIN rail clip

DIN rail clip

Description DIN rail clip for fast and easy mounting of WATCHDOG-LINE alarm units in the control cabinet or for side-by-side mounting of several units on the wall. The clip is mounted by means of screws so that the alarm unit can be clipped onto standard DIN rails.

PG: 4	PG	DG			Part no.	Price €
Test gas bag PGT 10, including withdrawal unit (without gas cylinder)	4	H	1	-	500542	
Withdrawal unit MiniFlo Brass valve and Perspex flow meter with stainless steel float for gas flow control from 0.5 to 1.5 l/min, test gas hose	3	E	1	-	69050	
Calibration gas methane 20 % LEL, non-recyclable cylinder containing 12 l	2	E	1	-	69060	
Calibration gas methane 40 % LEL, non-recyclable cylinder containing 12 l	2	E	1	-	69061	
Calibration gas propane 20 % LEL, non-recyclable cylinder containing 12 l	2	E	1	-	69062	
Calibration gas propane 40 % LEL, non-recyclable cylinder containing 12 l	2	E	1	-	69063	
Calibration gas carbon monoxide (300 ppm), non-recyclable cylinder containing 12 l	2	E	1	-	69064	
Synthetic air for zero point calibration, non-recyclable cylinder containing 12 l	2	E	1	-	69065	
Mounting frame	1	G	1	-	43521	
Sealing kit (IP 54)	1	G	1	-	43416	
DIN rail clip	1	G	1	-	43100	

Enquire for other calibration gases and concentrations.

Blue part no. = in-stock items

i
Upon request, we design and build complete gas alarm systems for you and service them at regular intervals.