

Diaphragm seals

MD 56 NEUMO BioControl®



- Defined installation and press-fitting with metal stop
- EHEDG-certified
- Medium cannot get behind the seal
- Suitable for SIP/CIP



2

- Application** Flange type diaphragm seal MD 56 for sterile process separation of pressure measuring and control units in pipes or tanks. For mounting to Bourdon tube pressure gauges, pressure transducers and pressure switches. For installation in sterile processes without dead spaces. Typical application areas:
- Sterile applications in process engineering
 - Pharmaceutical industry
 - Biotechnology
 - Food and beverages industry
 - Beverage machines
 - Dairies
 - Breweries

Description All materials used are FDA-listed. Defined installation as per EHEDG hygienic design recommendations; EHEDG-certified. The chemical seal and the measuring instrument are welded together, resulting in an inseparable single, shock- and vibration-resistant unit without external edges that might collect dirt. The chemical seals are available with nominal diameters 25, 50, 65, 80; due to their compact design, they are suitable for a wide range of applications.

Technical specifications

Type
MD 56

Process connection
NEUMO BioControl®
D25, D50, D65, D80

Material
Stainless steel 316 L, seal EPDM
(USP CLASS VI classified; FDA-listed)

Surface roughness
 $Ra \leq 0.8 \mu\text{m}$

Pressure transmission liquid
Paraffin oil (FM 09), FDA-listed

Pressure ranges
0.6 bar to 16 bar

Test
EHEDG-certified type EL-CLASS I

Can be mounted to

- Bourdon tube pressure gauges NG 50, 63, 80, 100, 160
- Pressure transducers (DMU)
- Pressure switches (DS)

- Options**
- Other materials
 - Electropolished
 - Cooling element
 - Capillary
 - Other filling liquids
 - Accessories such as housing, block flange and seals

i

BioControl® is a registered trademark of NEUMO GmbH & Co.KG.

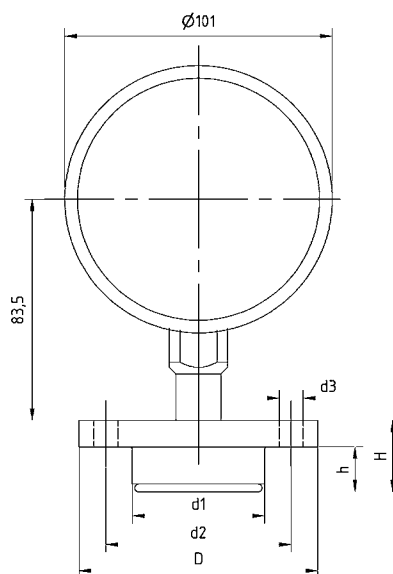
See page 182 for prices.

Diaphragm seals MD 56

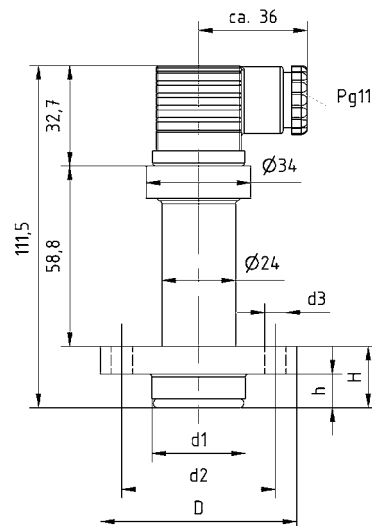
Types and dimensions (mm)

2

Pressure gauge NG 100 with MD 56



Pressure transducer DMU 02 Vario BC



DG: M, PG: 3

Type	Minimum range* (in bar) at nominal size				D	d1	d2	d3	H	h	Part no.	Price €
	63	100	160	DMU								
MD 56 BioControl® D25	4	4	4	1	64	30.4	50	4 x Ø 7	20	11	31410W	
MD 56 BioControl® D50	0.6	0.6	1.6	1	90	49.9	70	4 x Ø 9	27	17	31411W	
MD 56 BioControl® D65	0.6	0.6	0.6	0.6	120	67.9	95	4 x Ø 11	27	17	31412W	
MD 56 BioControl® D80	0.6	0.6	0.6	0.6	140	87.4	115	4 x Ø 11	37	25	31413W	

Blue part no. = in-stock items