

Room thermostats TA 03



- Mechanical temperature controllers with lamp and on/off switch
- For room temperature control
- Switch-off function for the summer months
- Easy surface mounting



Application Mechanical room thermostats for domestic applications. On-wall wall mounting allows for retrofitting.

Description The temperature measured by the probe cause a change in the volume of the measuring liquid. The force acting triggers electrical switching. For optimum temperature control, the room thermostat should be installed at an inside wall opposing the radiator. Install the room thermostat away from heat source of all kinds and from draft and do not expose it to sunlight. The best installation height is approx. 1.5 m above the floor.

Technical specifications

Operating temperature range

Ambient: 0/50 °C
Storage: 0/50 °C

Temperature adjustment range

7/30 °C

Switching differential

$\Delta T \leq 1K$

Temperature change rate

1K/15 minutes

Adjustment

Adjustable from the outside

Probe element

Liquid-filled

Housing

Wall mounting housing made of PVC
Colour: White (RAL 9016)
W x H x D: 80 x 80 x 44 mm
Weight: 134 g
Degree of protection: IP 20 (EN 60529)

Electrical switching contact

Changeover contact

Contact rating

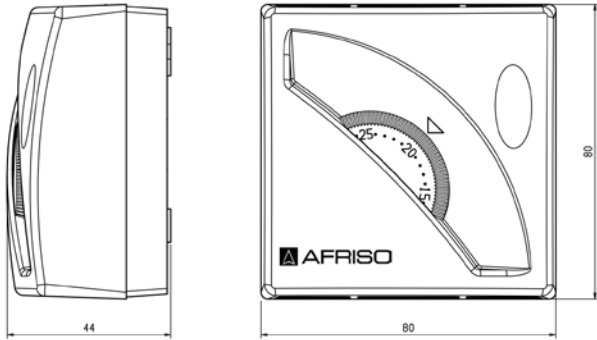
NC 16 (2.5) A 250 V AC
NO 16 (2.5) A 250 V AC

DG: G, PG: 4	Lamp	On/off switch	Part no.	Price €
TA 03	-	-	42616X	
TA 03	•	-	42617X	
TA 03	•	•	42618X	
TA 03	•	Summer/winter	42619X	

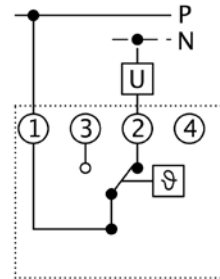
Room thermostats TA 03

Types and dimensions (mm)

TA 03

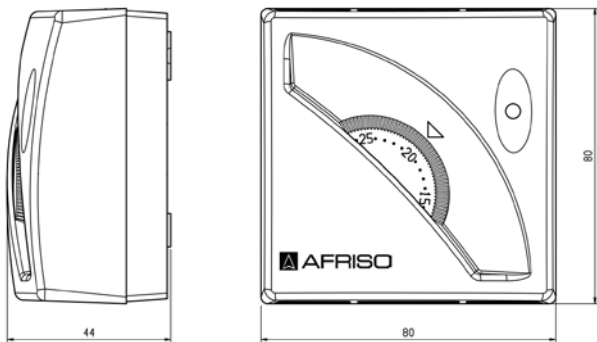


Wiring diagram

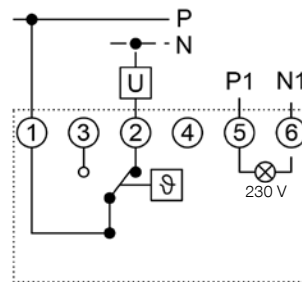


7

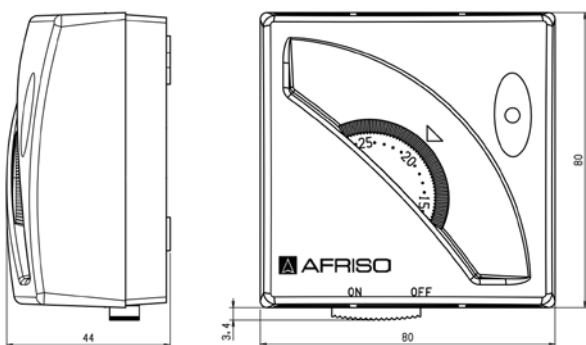
TA 03 without switch, with lamp



Wiring diagram



TA 03 with switch, with lamp



Wiring diagram

