

# Conductivity level switch

## CoFox® ELT 680



- Specially designed for applications in the food industry
- Detection of interface layers between liquids with different levels of conductivity (product, foam)
- Adjustable delay helps to avoid unwanted switching
- Contact resistance does not influence measurement



Page 405



Page 406



5

**Application** Suitable for use with electrically conductive media, predominantly liquids, e.g. milk, wine, fruit juices, waste water or lyes. Also suitable for foaming or adhesive media, e.g. beer or yoghurt.

**Description** The CoFox ELT® 680 level switch operates on the basis of conductivity. A delay can be set to avoid undesired switching as a result of surface turbulence. The sensitivity and adjustment range of the device have been designed in such a way as to keep contact resistance from impairing the reliability of the unit (e.g. caused by foam on the electrode insulator (in breweries, dairies and ice-cream plants). Furthermore, the unit is capable of interface layer detection between liquids having different levels of conductivity (e.g. water and milk) in pipes and tanks.

**Switching functions** The unit can be operated either with one electrode as a single-point controller or with two electrodes as a dependent dual-point controller.

### Technical specifications

#### Adjustment range

Variable adjustment

HR: 1 kOhm to 100 kOhm

LR: 50 Ohm to 2,000 Ohm

#### Operating temperature range

Ambient: -10/+60 °C

#### Supply voltage

AC 230 V or DC 24 V

#### Power input

2.5 W

#### Probe circuit

Max. AC 3 V

#### Switching output

Relay contact: 1 voltage-free changeover contact

Contact rating: AC 250 V, 750 VA

DC 12 V, 1 A

#### Visual indication

Green LED

#### Delay

Adjustable from 0 to 20 s

#### Fail-safe mode

Integrated selector for min. or max.

fail-safe mode (low/high)

#### Housing

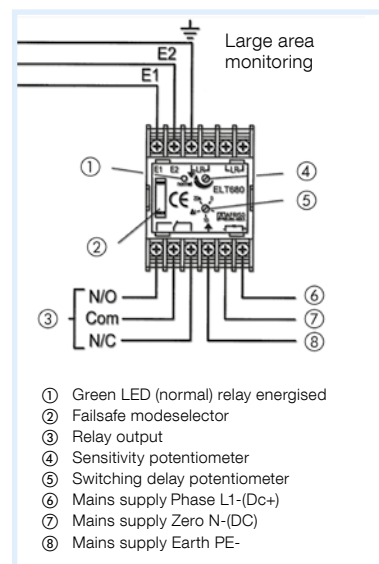
DIN rail housing made of impact-resistant plastic (ABS)

W x H x D 73 x 55 x 112 mm

Degree of protection: IP 40 (EN 60529)

#### Scope of delivery

Level switch without probe



See page 322 for probes for level switches.

DG: H, PG: 4	Part no.	Price €
<b>ELT 680</b> DC 24 V	<b>53682</b>	
<b>ELT 680</b> AC 230 V	<b>53681</b>	
Accessories		
<b>Additional alarm unit ZAG 01</b>	<b>40633</b>	

Blue part no. = in-stock items