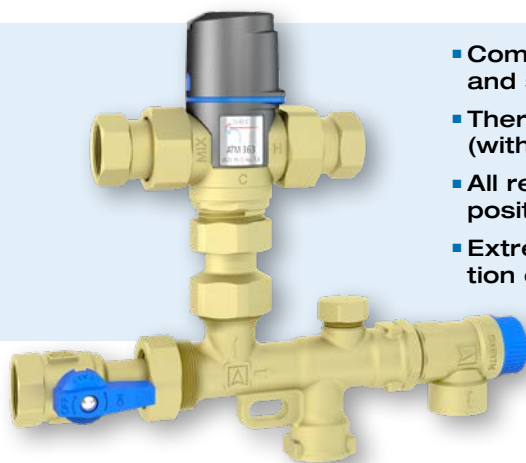


Thermal mixing valve ATM 363 WSG



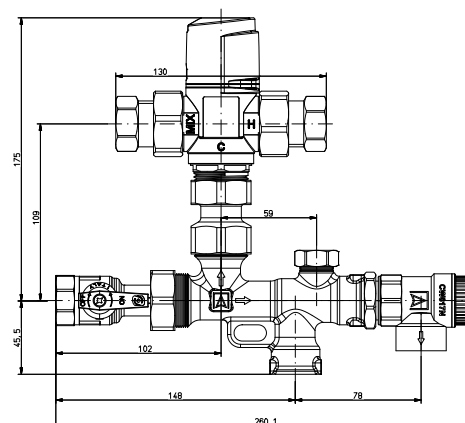
- Compact assembly for tankless water heaters and solar-heated drinking water heaters
- Thermally controlled hot water temperature (with scald protection)
- All relevant backflow preventers at the correct positions
- Extremely time-saving as compared to installation consisting of many individual parts

Application Mixing valve with boiler safety group assembly for controlling hot water at solar-heated drinking water heaters and hot water storage tanks with hot water heating according to flow principle. Ideal for applications in which circulation is not necessary or if the water heater already has a circulation connection.

Description Compact, pre-assembled and tightness-tested assembly consisting of adjustable thermal mixing valve, safety group assembly with integrated backflow preventers, shut-off valve and safety valve. Mixing valve with control knob with temperature scale (35/60 °C) for easy adjustment of the temperature of the water to be mixed. A cap protects the control knob against improper operation; it can be lead-sealed to help prevent unwanted adjustments. The selected adjustment is visible through the window in the cap. If the cold water line is interrupted, the mixing valve automatically closes the hot water supply to help protect against scalding.

Technical specifications	System connections	G $\frac{3}{4}$ female
	Operating temperature range	Medium: Max. 95 °C
	Mixing temperature	35/60 °C
	System pressure	Max. 10 bar
	Flow coefficient Kvs	1.6 m ³ /h
	Safety valve	Opening pressure: 6 bar
	Scope of delivery	Assembly group without insulation

Dimensions (mm)



DG: G, PG: 2	Part no.	Price €
Thermal mixing valve ATM 363 WSG	68419	