

Diaphragm seals MD 30 standard version with threaded connection



MD 30, PN 100

- Can be disassembled and cleaned
- Applications up to 250 bar
- Welded diaphragm
- Many process connections available



MD 30, PN 100

2

Application For mounting to Bourdon tube pressure gauges, pressure transducers or pressure switches. For corrosive, viscous, polluted or hot media.

Technical specifications

Process connection/lower body

Stainless steel 316 L
G $\frac{1}{2}$ B or $\frac{1}{2}$ NPT

Diaphragm

Stainless steel 316 L

Seal

FKM (Viton)

Instrument connection/upper body

Stainless steel 316 L
Welded connection

Retaining flanges

Stainless steel 316 L

Spacer ring

Stainless steel 316 L (for PN 100)

Screws and nuts

Stainless steel 304

Pressure transmission liquid

Paraffin oil (FM 09), FDA-listed

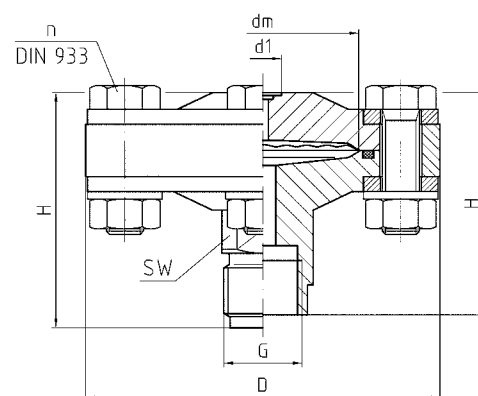
Pressure ranges

See price list section

Nominal pressure

PN 25 to PN 250

Dimensions (mm)



G	d1	PN	dm	D	H	n	SW
G $\frac{1}{2}$	10	25	36	95	60	4xM10	22
G $\frac{1}{2}$ B	10	25	36	95	63	4xM10	22
$\frac{1}{2}$ -14NPT	10	25	36	95	63	4xM10	22
G $\frac{1}{2}$	10	100	36	95	60	4xM10	22
G $\frac{1}{2}$ B	10	100	36	95	63	4xM10	22
$\frac{1}{2}$ -14NPT	10	100	36	95	63	4xM10	22
G $\frac{1}{2}$	10	250	56	95	56	8xM10	22
G $\frac{1}{2}$ B	10	250	56	95	79	8xM10	22
$\frac{1}{2}$ -14NPT	10	250	56	95	76	8xM10	22

Options

Process connection/lower body

- Special materials/coatings
- Other connection threads

Diaphragm

- Special materials/coatings

Seal

- Other materials

Instrument connection/upper body

- Adapter for instrument connection G $\frac{1}{4}$ B/G $\frac{1}{2}$ B
- Cooling element (> 100 °C)
- Capillary tube

Screws/nuts/spacer ring

- Other materials

Miscellaneous

- Other filling liquids

i

See page 176
for prices.