

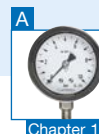
Diaphragm seals MD 60 for hygienic processes



2



- 3-A-certified in conjunction with Bourdon tube pressure gauge RF 63/100 and chemical seal DMU 02 Vario
- All materials FDA-listed
- Suitable for SIP/CIP
- NovAseptic®-compatible (1" to 2½")



Application For mounting to Bourdon tube pressure gauges, pressure transducers or pressure switches. For viscous, perishable or hot media. Typical application areas:

- Food and beverages industry
- Beverages industry
- Pharmaceutical industry
- Biotechnology

Description All materials used are FDA-listed. The chemical seal and the measuring instrument are welded together, resulting in an inseparable single, shock- and vibration-resistant unit that does not require additional external protection. The chemical seals are available with various nominal diameters; due to their compact design, they are suitable for a wide range of applications.

Technical specifications

Type
MD 60: Clamp ISO 2852

Process connection
Stainless steel 316 L
Clamp ¾" to 2½"

Diaphragm
Stainless steel 316 L,
welded to upper body, no dead space

Surface roughness
Ra ≤ 0.8 µm

Instrument connection
Welded connection

Pressure transmission liquid
Paraffin oil (FM 09), FDA-listed

Pressure ranges
See price list section

Nominal pressure
PN 25 to 40

Test
3-A-certified:
Nominal diameter 1"– 2½" for RF 63/100
(crimped bezel and bayonet bezel versions)
Nominal diameter 1"–2½" for DMU 02 Vario

- Options**
- Adapter for instrument connection G¼B/G½B
 - Special materials/coatings
 - Electropolished
 - Cooling element (> 100 °C)
 - Capillary tube
 - Other filling liquids
 - Accessories (retainer ring, seal, socket)

- Other process connections:
MD 61: Clamp DIN 32676
MD 62: Tri-Clamp

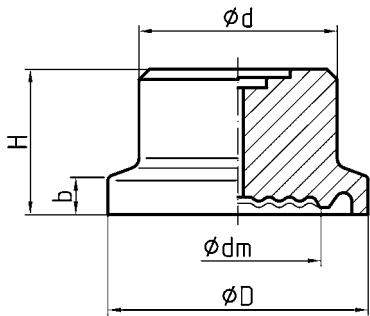
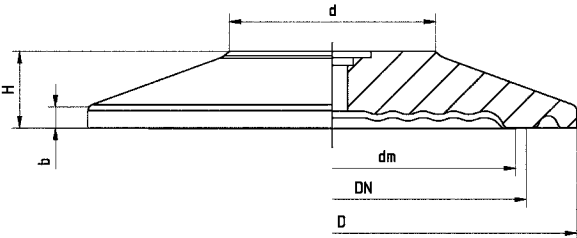
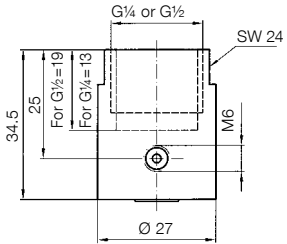
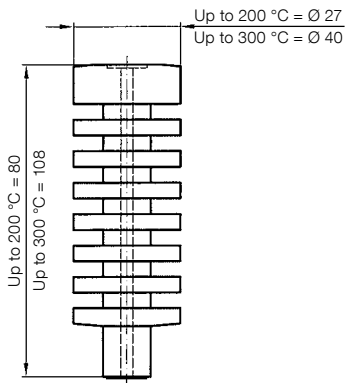
i

NovAseptic® is a registered trademark of Millipore AB.

See page 180 for prices.

Diaphragm seals MD 60

Types and dimensions (mm)

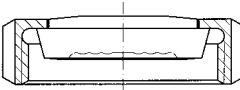
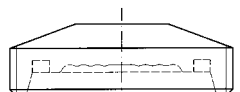
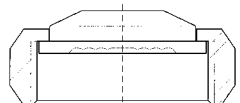
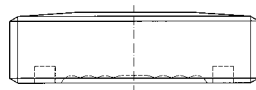
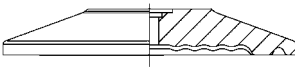
<p>Clamp connection $\frac{3}{4}$" ISO 2852</p> 	<p>Clamp connection 1"-2$\frac{1}{2}$", ISO 2852</p> 
<p>Adapter for instrument connection G$\frac{1}{4}$B/G$\frac{1}{2}$B with filling port</p> 	<p>Cooling element, can be welded at both ends</p> 

Type	DN	PN	D	dm	d	H	b
MD 60	$\frac{3}{4}$ "	40	25	17.2	19	14	3.6
MD 60 NovAseptic® design	1"	40	50.5	25.5/28	27	10	2.85
	1 $\frac{1}{2}$ "	40	50.5	36	27	10	2.85
	2"	40	64	48	27	10	2.85
	2 $\frac{1}{2}$ "	25	77.5	48	38.2	10	2.85

Diaphragm seals MD 50/51/60

DG: M, PG: 3

2

	MD 50 for hygienic processes, grooved union nut DIN 11851 (female)							
	Nominal diameter DN	Nominal pressure PN	Minimum range* (in bar) at nominal size				Part no.	Price €
			63	100	160	DMU		
	25	40	4	4	4	1	31300W	
	32	40	0.6	1.6	1.6	1	31301W	
	40	40	0.6	0.6	0.6	1	31302W	
	50	25	0.6	0.6	0.6	0.6	31303W	
	65	25	0.6	0.6	0.6	0.6	31304W	
	MD 50 for hygienic processes, threaded socket DIN 11851 (male)							
	Nominal diameter DN	Nominal pressure PN	Minimum range* (in bar) at nominal size				Part no.	Price €
			63	100	160	DMU		
	25	40	4	4	4	1	31306W	
	32	40	0.6	1.6	1.6	1	31307W	
	40	40	0.6	0.6	0.6	1	31308W	
	50	25	0.6	0.6	0.6	0.6	31309W	
	65	25	0.6	0.6	0.6	0.6	31310W	On request
	MD 51 for hygienic processes, grooved union nut SMS 1147 (female)							
	Nominal diameter DN	Nominal pressure PN	Minimum range* (in bar) at nominal size				Part no.	Price €
			63	100	160	DMU		
	1½"	40	0.6	0.6	0.6	1	31314W	
	2"	40	0.6	0.6	0.6	0.6	31315W	
	2½"	25	0.6	0.6	0.6	0.6	31316W	On request
	MD 51 for hygienic processes, threaded socket SMS 1147 (male)							
	Nominal diameter DN	Nominal pressure PN	Minimum range* (in bar) at nominal size				Part no.	Price €
			63	100	160	DMU		
	1½"	40	0.6	0.6	0.6	1	31320W	
	2"	40	0.6	0.6	0.6	0.6	31321W	
	MD 60 clamp connection ISO 2852							
	Nominal diameter DN	Nominal pressure PN	Minimum range* (in bar) at nominal size				Part no.	Price €
			63	100	160	DMU		
	¾"	40	6	---	---	1.6	31913W**	
	1"	40	---	---	---	1.6	31914W***	
	1"	40	4	4	---	1.6	31912W	
	1½"	40	0.6	0.6	1.6	1	31324W	
	2"	40	0.6	0.6	0.6	0.6	31325W	
	2½"	25	0.6	0.6	0.6	0.6	31326W	

* Valid for standard filling liquid with direct mounting (without capillary tube) at a room temperature and temperature of the medium of 20 °C.

** Not available with 3-A-approval.

*** DMU 02 Vario only.

Blue part no. = in-stock items

i

See page 194 for extra charges for options, mounting and accessories.