

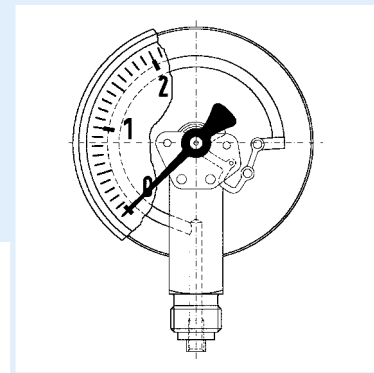
Glycerine filled Bourdon tube pressure gauges

EN 837-1

1



- Can be used in case of heavy vibrations and high, dynamic pressure loads
- Longer service life due to less wear and corrosion protection of the measuring system
- No steaming up of the inside of the window in case of outdoor applications



Application For gaseous and liquid media which are not highly viscous, do not crystallise and do not attack copper alloys. For measurements in areas with high vibration levels and high, dynamic pressure loads. ! For measuring gas or vapour, these gauges must be used in accordance with the table "Selection Criteria as per EN 837-2" (see appendix)!

Technical specifications

Type

D 6

Nominal size

40

Accuracy class (EN 837-1/6)

1.6

Ranges (EN 837-1/5)

0/1 bar to 0/400 bar

-1/0 bar

Application area

Static load: $\frac{3}{4}$ x full scale valueDynamic load: $\frac{2}{3}$ x full scale value

Short-term: full scale value

Operating temperature range

Medium: $T_{max} = +60\text{ °C}$ Ambient: $T_{min} = -20\text{ °C}$ $T_{max} = +60\text{ °C}$

Temperature performance

Indication error when the temperature of the measuring system deviates from the normal temperature of $+20\text{ °C}$:rising temperature approx. $\pm 0.4\text{ \%}/10\text{ K}$ falling temperature approx. $\pm 0.4\text{ \%}/10\text{ K}$

of full scale value

Degree of protection

IP 65 (EN 60529)

with housing vent ($\leq 25\text{ bar}$)

IP 54

Standard version

Connection

Brass, centre back $G\frac{1}{8}B$ – spanner size SW 12 (EN 837-1/7.3)

Measuring element

Bourdon tube, copper alloy

 $\leq 60\text{ bar}$ "C" type tube $> 60\text{ bar}$ helical tube

Movement

Brass

Dial

Plastic, white; dial marking black

Pointer

Plastic, black

Housing

Plastic (ABS), black, with blow-out

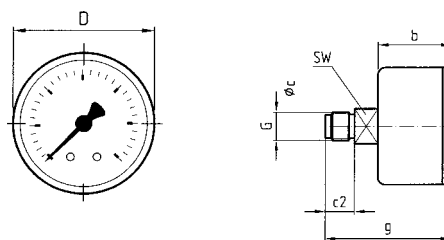
Window

Plastic, ultrasonically welded to housing

Filling liquid

Glycerine (99.5 %)

Centre connection back – NG 40



Dimensions (mm)

Nominal size (NG)	b	Øc	c2	-
40	25	4	10	-

Nominal size (NG)	D	G	g	SW
40	40	$G\frac{1}{8}B$	43	12

i
See page 41
for prices.

Options

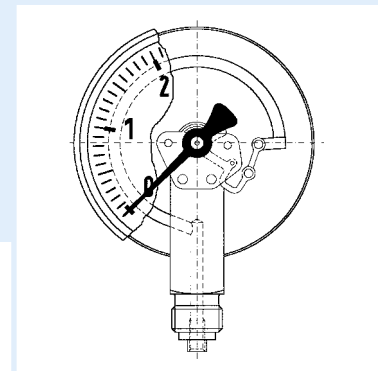
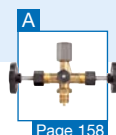
- Special scales
- Damping screw
- Other process connections

Glycerine filled Bourdon tube pressure gauges

EN 837-1



- Can be used in case of heavy vibrations and high, dynamic pressure loads
- Longer service life due to less wear and corrosion protection of the measuring system
- No steaming up of the inside of the window in case of outdoor applications



Application For gaseous and liquid media which are not highly viscous, do not crystallise and do not attack copper alloys. For measurements in areas with high vibration levels and high, dynamic pressure loads.
! For measuring gas or vapour, these gauges must be used in accordance with the table "Selection Criteria as per EN 837-2" (see appendix)!

Technical specifications

Type
D 6

Nominal size
50 – 63

Accuracy class (EN 837-1/6)
1.6

Ranges (EN 837-1/5)
-1/0 to -1/+15 bar
0/0.6 to 0/400 bar

Application area
Static load: $\frac{3}{4}$ x full scale value
Dynamic load: $\frac{2}{3}$ x full scale value
Short-term: full scale value

Operating temperature range

Medium: $T_{\max} = +60\text{ }^{\circ}\text{C}$
Ambient: $T_{\min} = -20\text{ }^{\circ}\text{C}$
 $T_{\max} = +60\text{ }^{\circ}\text{C}$

Temperature performance

Indication error when the temperature of the measuring system deviates from the normal temperature of $20\text{ }^{\circ}\text{C}$:
rising temperature approx. $\pm 0.4\text{ } \%/10\text{ K}$
falling temperature approx. $\pm 0.4\text{ } \%/10\text{ K}$
of full scale value

Degree of protection

IP 65 (EN 60529)
with housing vent ($\leq 25\text{ bar}$)
IP 54

Standard version

Connection
Brass, bottom or centre back
G $\frac{1}{4}$ B – spanner size SW 14 (EN 837-1/7.3)

Measuring element
Bourdon tube, copper alloy
 $\leq 60\text{ bar}$ "C" type tube
 $> 60\text{ bar}$ helical tube

Movement
Brass

Dial
Aluminium, white
Dial marking black

Pointer
Aluminium, black

Housing
Polyamide black
With blow-out

Crimped bezel
Aluminium, black

Window
Plastic

Filling liquid
Glycerine (99.5 %)

- Options**
- Back flange (NG 63)
 - Clamp fixing
 - 3-hole fixing, panel mounting bezel (NG 63)

- Damping screw
- Special scales
- Other process connections

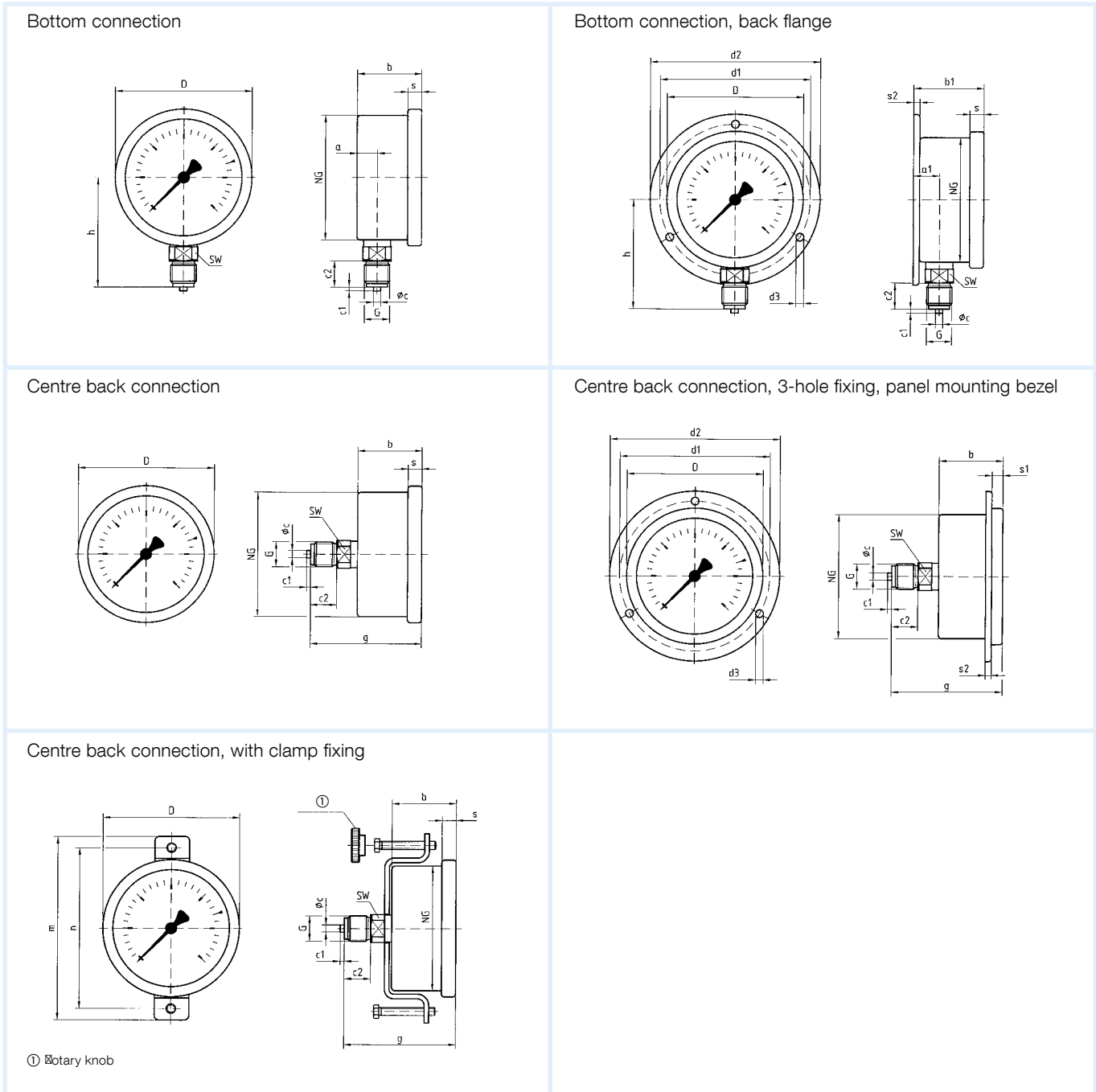


See page 41
for prices.

Glycerine filled Bourdon tube pressure gauges

Type D 6 – NG 50/63

1 Housing types and dimensions



Dimensions (mm)

Nominal size (NG)	a	a ₁	b	b ₁	Øc	c ₁	c ₂	d ₁ *	d ₂	d ₃ *	D	G	g	h	m	n	s	s ₁	s ₂	SW
50	12	-	31.5	-	5	2	13	-	-	-	53	G ¹ / ₄ B	54.5	47	82	73	5	-	-	14
63	10	13	32	35	5	2	13	75	85	3.6	68	G ¹ / ₄ B	55	53	94	82	7	5.5	3	14

Glycerine filled Bourdon tube pressure gauges

EN 837-1

DG: M, PG: 2

1

Type	RF40Gly, D611	RF50Gly, D601	RF50Gly, D611	RF50Gly, D641	RF63Gly, D601	RF63Gly, D611	RF63Gly, D621	RF63Gly, D641
Version								
Housing Ø	40	50	50	50	63	63	63	63
Housing	ABS black	Polyamide, black, with crimped bezel, black, plastic window						
Measuring element	Bourdon tube, copper alloy							
Accuracy class	1.6	1.6	1.6	1.6	1.6	1.6	1.6	1.6
Connection	G $\frac{1}{8}$ B	G $\frac{1}{4}$ B	G $\frac{1}{4}$ B	G $\frac{1}{4}$ B	G $\frac{1}{4}$ B	G $\frac{1}{4}$ B	G $\frac{1}{4}$ B	G $\frac{1}{4}$ B
				Clamp fixing			3-hole fixing, panel mounting bezel, black	Clamp fixing
Range (bar)	Part no.	Part no.	Part no.	Part no.	Part no.	Part no.	Part no.	Part no.
Price €								
-1/0	85001611	85051601	85051611	85051641	85101601	85101611	85101621	85101641
-1/+0.6	---	85052601	85052611	85052641	85102601	85102611	85102621	85102641
-1/+1.5	---	85053601	85053611	85053641	85103601	85103611	85103621	85103641
1/+3	---	85054601	85054611	85054641	85104601	85104611	85104621	85104641
-1/+5	---	85055601	85055611	85055641	85105601	85105611	85105621	85105641
-1/+9	---	85056601	85056611	85056641	85106601	85106611	85106621	85106641
-1/+15	---	85057601	85057611	85057641	85107601	85107611	85107621	85107641
Price €								
0/0.6	---	85059601	85059611	85059641	85109601	85109611	85109621	85109641
0/1	85010611	85060601	85060611	85060641	85110601	85110611	85110621	85110641
0/1.6	85011611	85061601	85061611	85061641	85111601	85111611	85111621	85111641
0/2.5	85012611	85062601	85062611	85062641	85112601	85112611	85112621	85112641
0/4	85013611	85063601	85063611	85063641	85113601	85113611	85113621	85113641
0/6	85014611	85064601	85064611	85064641	85114601	85114611	85114621	85114641
0/10	85015611	85065601	85065611	85065641	85115601	85115611	85115621	85115641
0/16	85016611	85066601	85066611	85066641	85116601	85116611	85116621	85116641
0/25	85017611	85067601	85067611	85067641	85117601	85117611	85117621	85117641
0/40	85018611	85068601	85068611	85068641	85118601	85118611	85118621	85118641
Price €								
0/60	85019611	85069601	85069611	85069641	85119601	85119611	85119621	85119641
0/100	85020611	85070601	85070611	85070641	85120601	85120611	85120621	85120641
0/160	85021611	85071601	85071611	85071641	85121601	85121611	85121621	85121641
0/250	85022611	85072601	85072611	85072641	85122601	85122611	85122621	85122641
0/400	85023611	85073601	85073611	85073641	85123601	85123611	85123621	85123641

* Minimum order quantity for non-stock items = 25 pieces

Blues part no. = in-stock items



See page 72 for extra charges.