

Leak detectors LAS - sight glass principle

3



Application For aboveground double-walled tanks containing water-polluting liquids. Application under atmospheric conditions for steel tanks and double-walled tanks with approval for leak detectors. Types LAS 24 E, LAS 39 E and LAS 72 E for all water-polluting liquids. Types LAS 24, LAS 39, LAS 72 and LAS 230 for water-polluting with a flash point of > 55 °C.

Description Leak detector for liquid systems consisting of a transparent acrylic glass cylinder, stainless steel housing covers and bottoms. Connection thread G1. Approval for construction products, DIBt: Z-65.24-381.

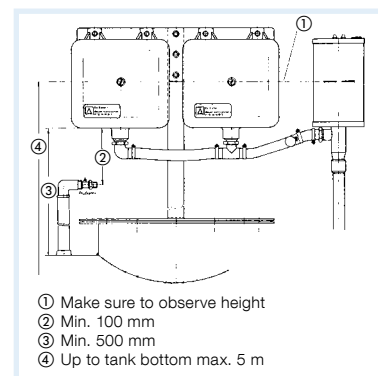
Versions Version E with wire mesh cylinder. LAS 24 EK for mobile tanks with tilting valve to protect against loss of leak detection fluid during transport and for venting on site. LAS 39 and 72 with G1 connection at the side for up to 4 additional containers with 4.5 litres each. The additional containers allow for leak detection at tanks with a greater interstitial space (see overview).

Overview LAS 72 with additional containers

Number of add. containers	Active volume LAS 72 and additional containers in litres	Max. leak detection fluid in the interstitial space in litres	To be used for tanks with a volume in litres up to
0	2.1 l	max. 72 l	approx. 7,000 l
1	6.6 l	max. 230 l	approx. 30,000 l
2	11.1 l	max. 387 l	approx. 50,000 l
3	15.6 l	max. 545 l	approx. 80,000 l
4	20.1 l	max. 700 l*	100,000 l

Values for LAS 39 on request.

* Design 1975–1985



DG: H, PG: 3	Active volume	Interstitial space of tank	Max. no. of add. tanks	Part no.	Price €
LAS 24	0.7 l	max. 24 l	-	43515	
LAS 24 E	0.7 l	max. 24 l	-	43516	
LAS 24 EK	0.7 l	max. 24 l	-	43517	
LAS 39	1.1 l	max. 39 l	4	43526	
LAS 39 E	1.1 l	max. 39 l	4	43525	
LAS 72	2.1 l	max. 72 l	4	43528	
LAS 72 E	2.1 l	max. 72 l	4	43527	
LAS 230	6.6 l	max. 232 l	-	43550	
Mounting kit LAS 0 (test valve)	-	-	-	43529	
Mounting kit LAS 1*	-	-	-	43530	
Mounting kit LAS 2*	-	-	-	43531	
Mounting kit LAS 3*	-	-	-	43532	
Mounting kit LAS 4*	-	-	-	43533	

* Including the corresponding number of additional containers (Ex-Elstat I)