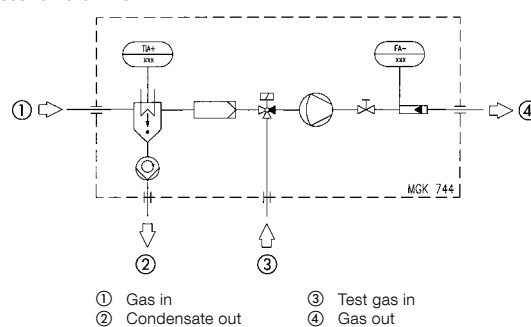


Gas treatment system MGK 744



- **Compact design 1/2 19" rack housing**
- **Can be used as a portable or stationary gas treatment system**

Gas flow chart MGK 744



Application For gas analysis systems which withdraw a gas sample for the analysis process. Especially for long-term or continuous measurements and measurements involving pollution and/or condensate. Decisive for precise and reproducible measurement results.

Description Compact, portable and stationary gas treatment system in 1/2 19" rack housing with permanently installed Peltier gas cooler which cools down the gas to be measured to a temperature of 5 °C, irrespective of the sampling temperature or the ambient temperature. With hose pump for automatic condensate removal, gas pump, extra fine particle filter and flow meter with needle valve. The gas treatment system is equipped with a status unit for detecting the operating state of the cooler as well as an additional master switch for the gas pump.

- Gas cooling: To 5 °C with Peltier gas cooler
- Gas filtration: Fine particulate filter
- Gas flow: Flow setting by means of rotameter and needle valve
- Gas transport: Gas pump
- Condensate transport: Condensate removal by means of hose pump

Technical specifications

Operating temperature range

Ambient: 5/40 °C
Storage: -15/+55 °C

Gas outlet dew point:

5 °C

Gas inlet conditions

Dew point: Max. 40 °C
Gas temperature: Max. 80 °C at 50 l/h and 20 °C ambient temperature

Gas throughput and filtration

- 60 l/h at 200 mbar
- Fine particulate filter with glass fibre filter 2 µm

Indication

Gas cooler state via front LEDs

- Temperature ok
- Cooling active
- Problem

Gas inlet/gas outlet

Compression fitting Ø 4 x 1 mm

Wetted parts

Duran glass, PA, PC, Viton®

Supply voltage

AC 230 V/50 Hz, 60 VA

Housing

1/2 19" housing 3 U
W x H x D: 213 x 128 x 255 mm
Weight: Approx. 3.5 kg
Degree of protection: IP 20 (EN 60529)

PG: 4	Part no.	Price €
Gas treatment system MGK 744	69640	
Options		
Extra charge for 3/2 way solenoid distribution valve	69641	
Extra charge for desktop/portable housing	69642	

Blue part no. = in-stock items