

# Thermometers with capillary tube

For burners, boiler, hot water tanks and air conditioning/refrigeration systems, AFRISO offers different temperature and pressure measuring instruments with various housing versions and connection types. The portfolio covers thermometers and pressure gauges with plastic or copper capillary as well as combination instruments such as combined thermometer/pressure gauges. We also provide OEM versions for your specific applications. Please enquire.

## Application examples



11

i

See page 310 for pressure gauge with capillary tube.

# Thermometers THK with capillary tube



- Ideal for boilers and water heaters
- Corrosion-resistant, highly impact-resistant plastic housing
- Many customised versions available

**Application** Heating and plumbing, e.g. boilers, water heaters, hot water storage tanks

## Technical specifications

**Nominal size**  
37 – 40 – 52 – 45 x 45

**Range**  
0/120 °C

**Accuracy/test point**  
50 °C = ± 3 °C

**Measuring principle**  
Liquid filling

## Operating temperature range

Medium: Full scale value  
Ambient:  $T_{\max} = +70$  °C

## Operating pressure

No pressure

## Degree of protection

IP 32 (EN 60529)

## Standard version

**Connection**  
Back, with Cu capillary tube  
Probe:  $\varnothing$  6 x 30 mm, Cu  
(see data sheet)

**Dial**  
Plastic (ABS), white or black  
Dial marking black

**Pointer**  
Plastic, black or white

## Housing

Plastic (ABS), white, black or grey  
Highly impact-resistant and corrosion-resistant

## Window

Clip-in plastic, transparent  
RFK 52 with bezel

## Capillary length

Cu capillary with PVC coating, R3, grey  
L = 500, 1,000, 1,500, 2,000 mm

- Options**
- Dial with customer logo
  - Various capillary lengths
  - Special colours for housing, dial, pointer

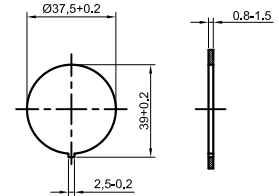
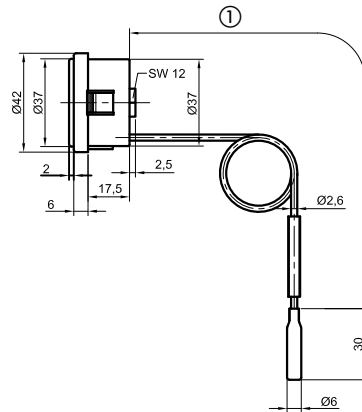
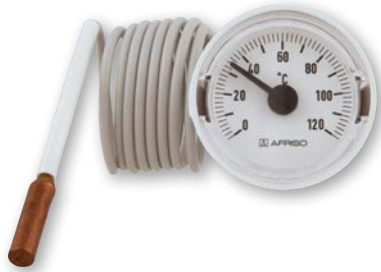


See page 347 for prices.

# Thermometers THK with capillary tube

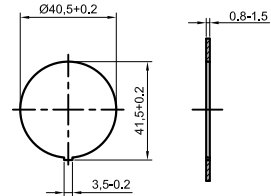
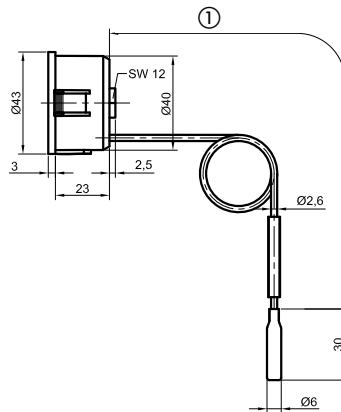
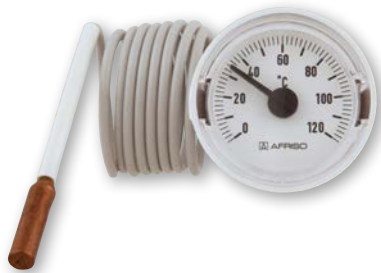
Dimensions (in mm)

Type THK 37



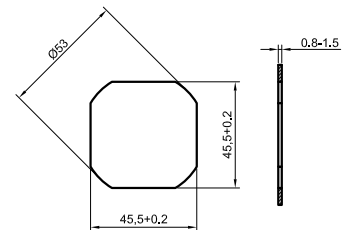
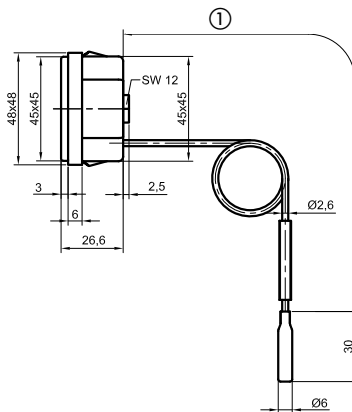
$\textcircled{1}$  Capillary length

Type THK 40



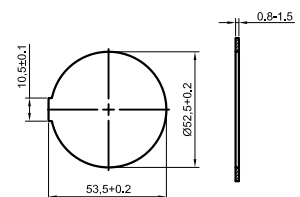
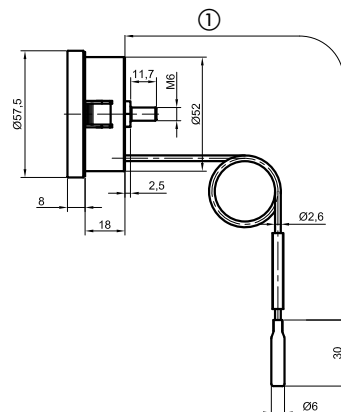
$\textcircled{1}$  Capillary length

Type THK 45



$\textcircled{1}$  Capillary length

Type THK 52



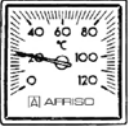





$\textcircled{1}$  Capillary length

11

# Thermometers with capillary tube

DG: G, PG: 2

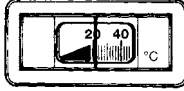

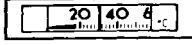

Type	THK 37	THK 40	THK 45	THK 52	THMK 40	THMK 52
Version						
Housing Ø	37	40	45 x 45	52	40	52
Housing	Plastic (ABS), grey	Plastic (ABS), white	Plastic (ABS), black	Plastic (ABS), grey, with bezel, black	Plastic (ABS), white	Plastic (ABS), grey, with bezel, black
Pointer	Plastic, black		Plastic, white		Plastic, black	Plastic, white
Dial/scale	Dial white / scale black		Dial black / scale white		Dial white / scale black	Dial black / scale white
Packing unit**	50 pieces					
Range	0/120 °C	0/120 °C	0/120 °C	0/120 °C	0/120 °C - 0/4 bar	
Capillary length*	<b>Price €</b> Part no.	<b>Price €</b> Part no.	<b>Price €</b> Part no.	<b>Price €</b> Part no.	<b>Price €</b> Part no.	<b>Price €</b> Part no.
500 mm				67502105		
1,000 mm	<b>67512115</b>			67502115		
1,500 mm	<b>67512125</b>	<b>67652125</b>	<b>67522125</b>	<b>67502125</b>		<b>67635125</b>
2,000 mm	<b>67512135</b>					
Range	---	---	---	---	0/120 °C - 0/6 bar	
Capillary length*	---	---	---	---	<b>Price €</b> Part no.	<b>Price €</b> Part no.
500 mm	---	---	---	---		
1,000 mm	---	---	---	---		
1,500 mm	---	---	---	---		<b>67636125</b>
2,000 mm	---	---	---	---		
Range	---	---	---	---	0/120 °C - 0/10 bar	
Capillary length*	---	---	---	---	---	<b>Price €</b> Part no.
500 mm	---	---	---	---	---	
1,000 mm	---	---	---	---	---	
1,500 mm	---	---	---	---	---	
2,000 mm	---	---	---	---	---	

\* Other capillary lengths on request.

\*\* Minimum order quantity for non-stock items = 100 pieces per delivery.

# Thermometers THK with capillary tube

DG: G, PG: 2

Type	THK 58 S Cu	THK 58 Cu	THK 62 Cu	THK 62 Cu
Version				
Nominal size (W x H)	58 x 25 mm	25 x 58 mm	62 x 11 mm	62 x 11 mm
Housing	Plastic, black			
Dial/scale	Dial white / numbers black			
Mounting position	Horizontal	Vertical	Horizontal	Horizontal
Capillary	Cu capillary with PVC jacket (R3, grey), Cu probe Ø 6.5 x 30 mm		Cu capillary with PVC jacket (R3, grey), Cu probe Ø 6.5 x 25 mm	
Packing unit	100 pieces			
Range	0/120 °C	0/120 °C	0/120 °C	0/120 °C
Capillary length*	<b>Price €</b> Part no.**	<b>Price €</b> Part no.**	<b>Price €</b> Part no.**	<b>Price €</b> Part no.**
1,000 mm	67542115	67542115s	67562115	67582115
1,500 mm	<b>67542125</b>	<b>67542125s</b>	67562125	67582125
2,000 mm	67542135	67542135s	67562135	67582135
3,500 mm	<b>67542155</b>	---	---	---

\* Other capillary lengths on request.

\*\* Minimum order quantity for non-stock items = 300 pieces.