

# Diaphragm seals MD 63 for VARINLINE® housing



- Defined installation and press-fitting with metal stop
- EHEDG-certified
- Medium cannot get behind the seal
- Suitable for SIP/CIP



2

**Application** Diaphragm seal MD 63 for sterile process separation of pressure measuring and control units in pipes or tanks. For mounting to Bourdon tube pressure gauges, pressure transducers and pressure switches. For installation in sterile processes without dead spaces. Typical application areas:

- Sterile applications in process engineering
- Pharmaceutical industry
- Biotechnology
- Food and beverages industry
- Beverage machines
- Dairies
- Breweries

**Description** All materials used are FDA-listed and comply with the EHEDG hygienic design recommendations and are EHEDG-certified. The chemical seal and the measuring instrument are welded together, resulting in an inseparable single, shock- and vibration-resistant unit without external edges that might collect dirt. The chemical seal is available for type F and type N; due to its compact design, it is suitable for a wide range of applications.

## Technical specifications

**Type**  
MD 63

### Process connection

For VARINLINE®/ VARIVENT® In-line-housing  
Type F for housing DN 25 and 1"  
(nominal installation diameter 50 mm)  
Type N for housing DN 40–125 and 1½"–6"  
(nominal installation diameter 68 mm)

### Material

Stainless steel 316 L, seal EPDM  
(USP CLASS VI classified, FDA-listed)

### Surface roughness

Ra ≤ 0.8 µm

### Pressure transmission liquid

Paraffin oil (FM 09), FDA-listed

### Pressure ranges

0.6 bar to 25 bar

### Test

EHEDG-certified type EL-CLASS I

### Can be mounted to

- Bourdon tube pressure gauges NG 50, 63, 80, 100, 160
- Pressure transducers (DMU)
- Pressure switches (DS)

## Options

- Other materials
- Electropolished
- Cooling element, electropolished (> 100 °C)
- Capillary tube
- Other filling liquids
- Accessories (brackets, housings and seals)

i

VARINLINE® and VARIVENT® are registered trademarks of GEA Tuchenhagen GmbH.

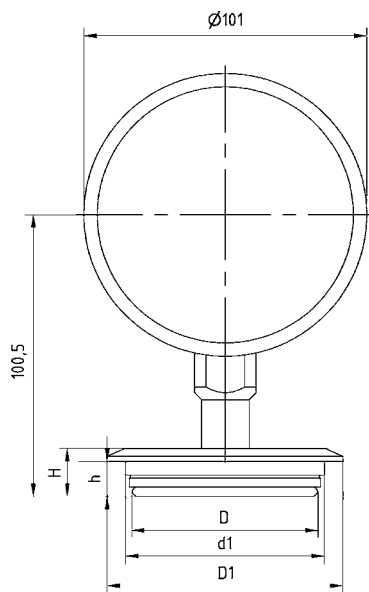
See page 184 for prices.

# Diaphragm seals MD 63

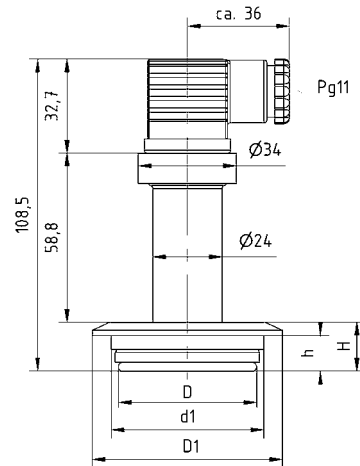
## Types and dimensions (mm)

2

Pressure gauge NG 100 with MD 63



Pressure transducer DMU 02 Vario VT



DG: M, PG: 3

Type	Minimum range* (in bar) at nominal size				D	D <sub>1</sub>	d <sub>1</sub>	H	h	DN VARILINE	Part no.	Price €
	63	100	160	DMU								
MD 63 VARIVENT® type F	4	4	---	1	50	66	53	17	12.3	DN 25; 1"	31340W	
MD 63 VARIVENT® type N	0.6	0.6	0.6	0.6	68	84	71	17	12.3	DN 40-125; 1½"-6"	31341W	

Blue part no. = in-stock items