

# Universal filter AF-U



- Optimum filtration of particulate matter
- With or without liquid alarm sensors
- Easy, fast wall mounting
- Bypass function



Evaluation electronics ELT 680 for liquid alarm sensor.

**Application** For filtration of solid matter.

**Description** Unheated universal filter for optimum filtration performance and removal of extremely small particles with filter elements with high filter fineness. Versions with or without conductivity based liquid alarm sensors. The sensor can detect the breakthrough of liquids (e.g. if a gas dryer is used upstream of the unit). If condensate water breaks through, the stream flow effect directs the drops to the sensor. The control unit of the liquid alarm sensor has a relay output that can be used to activate a pump or a solenoid valve or to signal an alarm. If condensate breaks through, the filter housing acts as a buffer space so that the liquid cannot immediately reach other components. The universal filter can be equipped with various filter inserts (ceramic, glass fibre, PTFE, stainless steel). These inserts are available with different filter fineness ratings to cover all possible applications.

The liquid alarm sensor detects and signals moisture, e.g. if the upstream gas dryer is defective. The liquid alarm sensor operates on the basis of the measuring principle of electric conductivity.

## Technical specifications Universal filters

### Operating temperature range

Medium filter: max. 100 °C  
Ambient control unit: -5/+55 °C

### Gas connections

2 x G $\frac{1}{4}$  female thread  
Inlet: Side  
Outlet: Side

### Gas pressure

Max. 1 bar

### Filter insert

Teflon (PTFE), glass fibres or ceramic

### Filter surface

70 cm<sup>2</sup>

### Condensate outlet

GL 25

### Material

Filter head: PTFE  
Filter body: Duran glass  
Weight: Approx. 0.31 kg (filter)  
Approx. 0.35 kg (control unit)

## Technical specifications Control unit

### Switching output

Relay contact: 1 voltage-free changeover contact

### Contact rating

AC 250 V, 750 VA  
DC 12 V, 1 A

### Sensor cable length

1.5 m

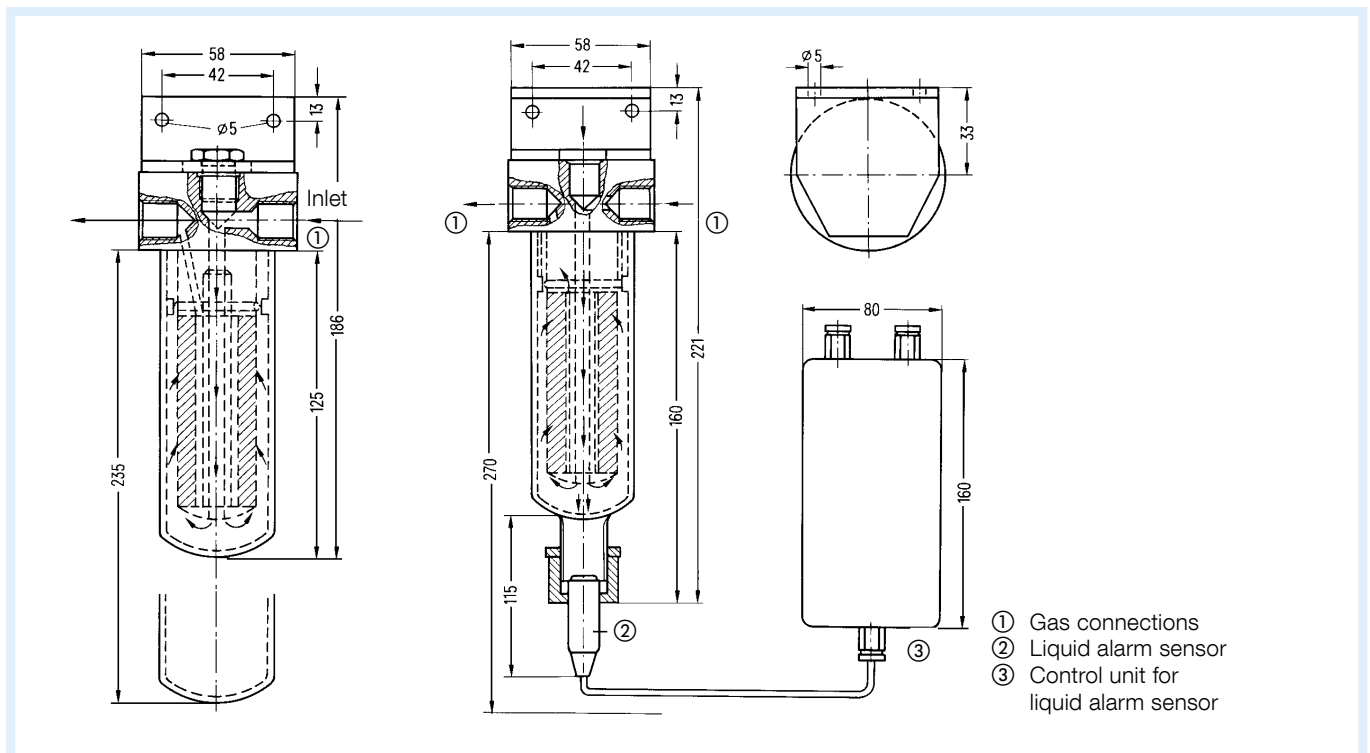
### Supply voltage

AC 230 V or AC 115 V

### Power input

2 VA

# Universal filter AF-U



PG: 4	Part no.	Price €
<b>Universal filter AF-U 75</b> with Teflon insert, filter fineness 2 µm	61605	
<b>Universal filter AF-UK 75</b> with Teflon insert <b>and condensate drain</b> , filter fineness 2 µm	61610	
Accessories		
<b>Liquid alarm sensor FAS</b> with evaluation electronics	68965	
<b>Filter insert FE-T 2-75</b> Teflon, filter fineness <b>2 µm</b>	61750	
<b>Filter insert FE-T 20-75</b> Teflon, filter fineness <b>20 µm</b>	61751	
<b>Filter insert FE-K 2-75</b> ceramic, filter fineness <b>2 µm</b>	61755	
<b>Filter insert FE-K 20-75</b> ceramic, filter fineness <b>20 µm</b>	61756	
<b>Filter insert FE-G 01-75</b> glass fibre, filter fineness <b>0.1 µm</b>	61745	
<b>Screw connection VGL 25</b> with hose connection	68970	
Spare parts		
<b>Filter head FK</b>	61700	
<b>Filter glass FG 75</b> for filter insert 75 mm	61710	
<b>Filter glass FG-K 75</b> with condensate outlet for filter insert 75 mm	61720	

Please enquire for further filters (e.g. stainless steel filters or heated filters) and filter inserts.

Blue part no. = in-stock items