

Resistance thermometers WTh 23/24/25

4



WTh 23

Description**Version**

Compact screw-in resistance thermometer specially for heating, ventilation and air conditioning applications

Technical specifications**Sensor**

1 x Pt 100
2-, 3- or 4-wire
Class B, IEC 751

Measuring insert

Not replaceable

Thermowell

Ø 6 mm, stainless steel 316 Ti

Process connection

G $\frac{1}{4}$ B stainless steel 316 Ti

Installation length

100 mm

Connection head (degree of protection)

Type J, aluminium die cast (IP 54)

Measuring range

-35/+180 °C

Options

- Sensor class A
- Sensor Pt 1000
- Transmitter installation
- Other thermowell diameters
- Thermowell with bend, measuring tip with spring
- Neck
- Other process connections
- Other installation lengths



WTh 24

Version

Screw-in resistance thermometer for medium pressure and flow loads, specially for mechanical engineering and plant engineering

Sensor

1 x Pt 100
2-, 3- or 4-wire
Class B, IEC 751

Measuring insert

Replaceable

Thermowell

As per DIN 43772
Ø 9 x 1 mm, stainless steel 316 Ti

Neck

Ø 9 x 1 mm, 25 mm long
Stainless steel 316 Ti

Process connection

G $\frac{1}{2}$ B stainless steel 316 Ti

Installation lengths

100, 160, 250 mm

Connection head (degree of protection)

Type B as per DIN 43729
Aluminium die cast (IP 54)

Measuring range

-35/+180 °C

- Sensor class A
- Sensor Pt 1000
- Transmitter installation (standard: 0/100 °C = 4–20 mA)
- Other installation lengths



WTh 25

Version

Screw-in resistance thermometer for medium pressure and flow loads at higher temperatures

Sensor

1 x Pt 100
2-, 3- or 4-wire
Class B, IEC 751

Measuring insert

Replaceable, Ø 6 mm

Thermowell

As per DIN 43772
Ø 9 x 1 mm, stainless steel 316 Ti

Neck

Ø 9 x 1 mm, 120 mm long
Stainless steel 316 Ti

Process connection

G $\frac{1}{2}$ B stainless steel 316 Ti

Installation lengths

100, 125, 160, 250, 400 mm

Connection head (degree of protection)

Type B as per DIN 43729
Aluminium die cast (IP 54)

Measuring range

-35/+400 °C

- Sensor class A
- Sensor Pt 1000
- Reduced measuring tip (6 mm)
- Transmitter installation
- Other thermowell materials, process connections, installation lengths

i

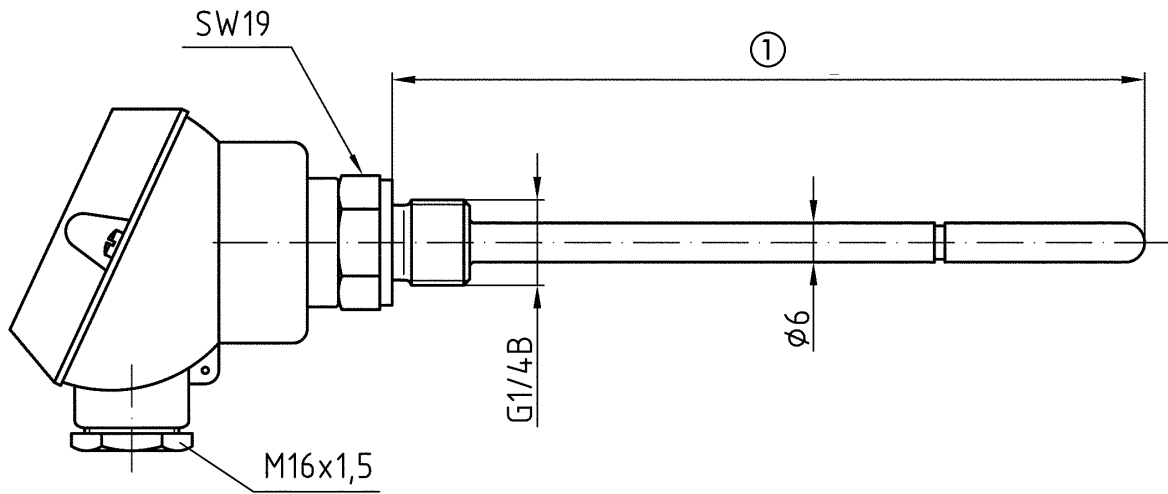
See page 292 for wiring diagram.

See the catalogue DOMESTIC TECHNOLOGY for versions as injection-type and outdoor resistance thermometers for use in air ducts.

Resistance thermometers WTh 23/24/25

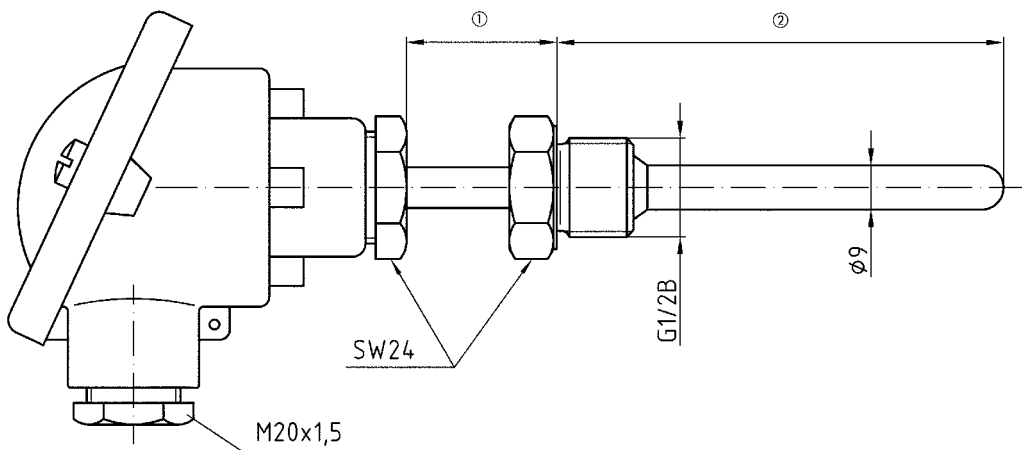
Dimensions (mm)

Type WTh 23

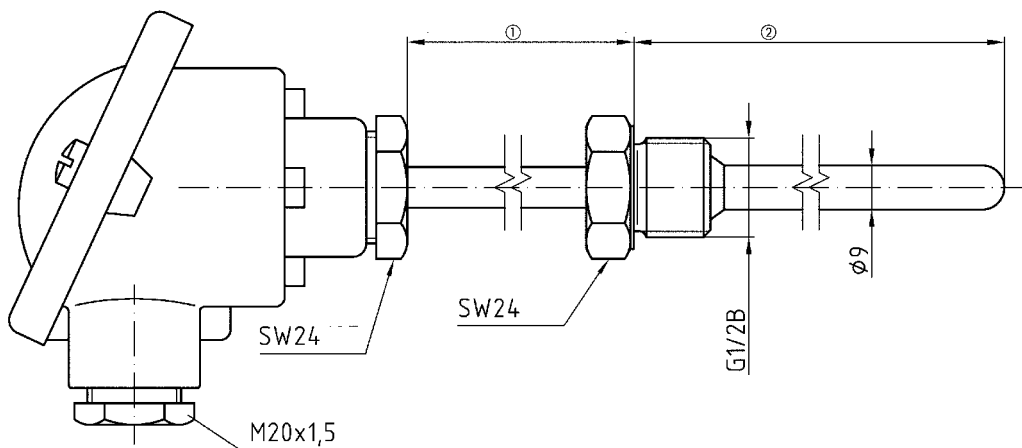


① Installation length

Type WTh 24

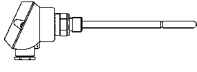
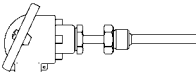
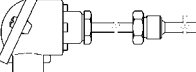
① Neck length (standard = 25)
② Installation length

Type WTh 25

① Neck length (standard = 140)
② Installation length

Resistance thermometers

DG: H, PG: 4

Type	WTh 23	WTh 24	WTh 25
Version			
Sensor	1 x Pt 100 3-wire, class B	1 x Pt 100 3-wire, class B	1 x Pt 100 3-wire, class B
Thermowell/probe diameter Material	6 mm Stainless steel 316 Ti	9 mm Stainless steel 316 Ti	9 mm Stainless steel 316 Ti
Neck	---	25 mm	120 mm
Process connection	G $\frac{1}{4}$ B Stainless steel 316 Ti	G $\frac{1}{2}$ B Stainless steel 316 Ti	G $\frac{1}{2}$ B Stainless steel 316 Ti
Connection head/ Electr. connection	Type J/cable gland	DIN 43729, type B Cable gland	DIN 43729, type B Cable gland
Measuring range fixed (moving)	-35/+180 °C	-35/+180 °C	-35/+400 °C
Installation length	Price € Part no.	Price € Part no.	Price € Part no.
65 mm	---	---	---
100 mm		32210	32240
125 mm	---	---	32241
160 mm	32226	32211	32242
250 mm	32227	32212	32243
400 mm	32228	---	32244
Extra charges (without PG)	Price €	Price €	Price €
Per additional 100 mm installation length			
Transmitter installation* DC 7.5–30 V/4–20 mA			
1 x Pt 100 4-wire			
2 x Pt 100 2-wire		---	
Sensor class A			
Reduced measuring tip (Ø 6 mm) for 1 x Pt 100	---	---	
Connection head design BBK		---	---

* Applies to standard measuring ranges (-50/+50, 0/50, 0/100, 0/120, 0/150, 0/200, 0/300 °C),
extra charge in all other cases €

** Applies up to 1,000 mm, one-time extra charge for installation length greater than 1,000 mm: €

Blue part no. = in-stock items