



## Pressure transducers DeltaFox DMU 10 D Version for differential pressure measurement



### Benefits

- Compact design
- Robust aluminium housing
- High long-term stability
- High overpressure safety
- Long service life

### Application

For electronic differential pressure measurement at very low differential pressure. For non-corrosive gaseous media. Particularly suitable for monitoring filters and fans in air and air conditioning applications.



## Technical specifications

### Measuring accuracy

Deviation from the characteristic curve according to IEC 60770 – limit point calibration (non-linearity, hysteresis, repeatability)

≤ ± 2 % FSO

≤ ± 1 % FSO

≤ ± 0.35 % FSO

### Measuring range

See ordering table

### Overpressure safety

100 mbar

350 mbar

1,000 mbar

3,000 mbar

≤ 0/25 mbar: 200 mbar

### Operating temperature range

Medium: -25/+125 °C

Ambient: -25/+85 °C

Storage: -40/+100 °C

### Temperature error band

≤ ± 2 % FSO In compensated range 0/60 °C

≤ 0/25 mbar: ≤ ± 1.5 % FSO In compensated range 0/60 °C

≤ 0/250 mbar: ≤ ± 1 % FSO In compensated range 0/60 °C

> 0/250 mbar: ≤ ± 0.5 % FSO In compensated range 0/60 °C

### Dynamic characteristics

Response time: < 5 ms

### Process connection

2x G½B female thread

## Options

- Other process connections
- Other electrical connections

### Material

Housing: Aluminium, eloxed, silver

Pressure connection: Aluminium

Seal: PUR glued

### Supply voltage

DC 8 – 32 V

### Output signal

2-wire, 4–20 mA

### Load

$R_{Max} = [(UB - UB_{Min})/0.02 A] \Omega$

### Current input

< 25 mA

### Electrical protection

Short circuit proof and protected against reverse polarity

### Electrical connection

Connector and junction box as per ISO 4400 (DIN 43650-A)

### Degree of protection

IP65 (EN 60529)

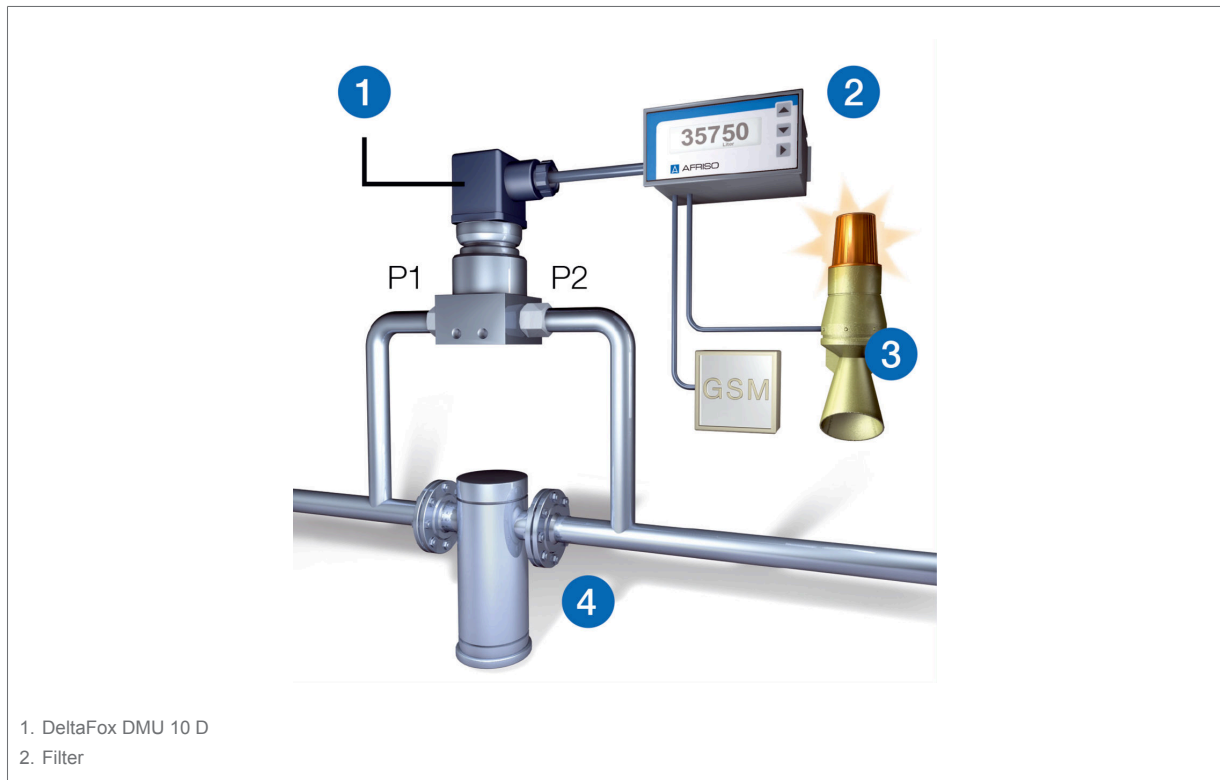
### CE conformity

EMC Directive 2014/30/EU

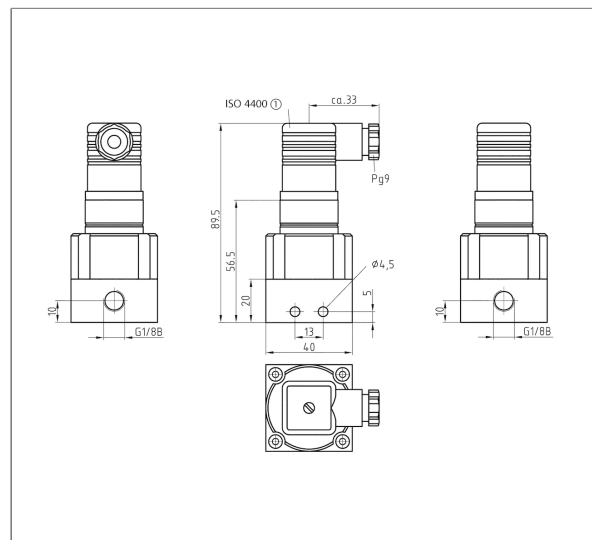
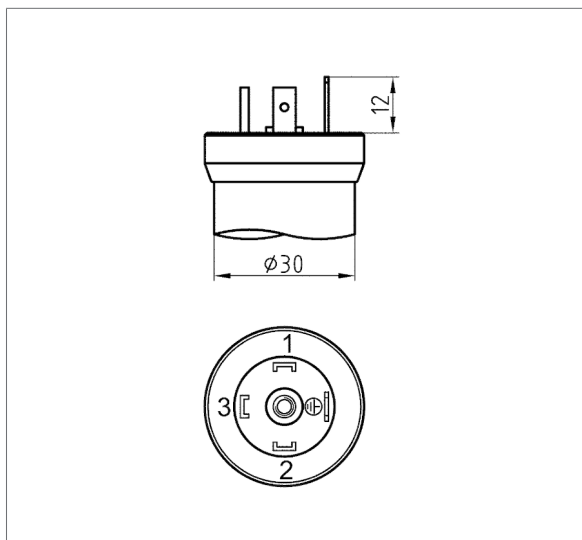
RoHS Directive 2011/65/EU



### Detail views



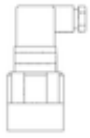
### Technical drawings





## Versions

Type	Connection	Measuring range	Part no.
DeltaFox DMU 10 D	2x G½B female thread	0/6 mbar	31861
DeltaFox DMU 10 D	2x G½B female thread	0/10 mbar	31862
DeltaFox DMU 10 D	2x G½B female thread	0/25 mbar	31863
DeltaFox DMU 10 D	2x G½B female thread	0/40 mbar	31864
DeltaFox DMU 10 D	2x G½B female thread	0/60 mbar	31865
DeltaFox DMU 10 D	2x G½B female thread	0/100 mbar	31866
DeltaFox DMU 10 D	2x G½B female thread	0/160 mbar	31867
DeltaFox DMU 10 D	2x G½B female thread	0/250 mbar	31868
DeltaFox DMU 10 D	2x G½B female thread	0/400 mbar	31869
DeltaFox DMU 10 D	2x G½B female thread	0/600 mbar	31870
DeltaFox DMU 10 D	2x G½B female thread	0/1 bar	31871



Blue part no. = in-stock items