

Digital display units DA 10/12/14



Benefits

- Grey display with excellent readability
- Automatic off function for the backlight
- Text-based user interface
- Bearing charts for cylindrical horizontal tanks and spherical tanks are pre-programmed
- Linearisation for volume indication (24 points)
- List of selectable units, custom display units can be defined
- Scalable units, displayed as bar chart
- Extended representation of limit values: window/trend functions
- Universal power supply unit
- Integrated supply voltage for transducer (e.g. DMU 08)

Application

Universal application for displaying measured values (DA 10), optionally with additional relay outputs (DA 12/14) for electronic transducers.

Versions

	Part no.
Display unit DA 10	31281
Display and control unit DA 12	31282
Display and control unit DA 14	31283
Wall mounting housing WAG 01 for mounting of one DA	31287
Wall mounting housing WAG 02 for mounting of two DAs	31288
Wall mounting housing WAG 03 for mounting of three DAs	31289
Wall mounting housing WAG 04 for mounting of four DAs	31290

Blue part no. = in-stock items

Description

Digital display unit in plastic housing for control panel mounting. With grey display and automatic off function for the backlight. The universal measurement input can be configured as a current input or a voltage input. Standard bearing charts for cylindrical horizontal tanks and spherical tanks are pre-programmed, additional units can be selected or set up. The units are scalable and shown as bar charts. Limit values can be displayed via a window and a trend function (rising/falling). With display message (flashing error text) if values are exceeded, parameter backup for restoring previous configurations and potentiometer for test purposes.



Technical specifications

Display

5-digit graphical LC display,
 With backlight,
 Text-based user interface,
 User interface language selectable (English/German/French/Italian),
 Freely selectable units,
 Custom display units can be defined

Measuring range

± 99,999 Digits
 Start and end values scalable as required

Linearity

± 0.1 % v. Mw.

Resolution

Decimal point position can be set as required

Response time

< 0.2 s

Operating temperature range

Ambient: 0/50 °C

Supply voltage

AC 50 – 253 V, 4.4 VA
 DC 20 – 253 V, 2.5 W

Sensor supply

Integrated, galvanically isolated supply voltage for transducer: DC 17 V/20 mA

Sensor input

All analogue standard signals, e.g. 4–20 mA, 0–20 mA, 0–1 V, 0–10 V as well as potentiometer

Analogue output

0/4–20 mA, galvanically isolated

Analogue output 2

DA 12: 0–10 V, galvanically isolated
 DA 14: 0–10 V, galvanically isolated

Switching output

DA 12: 2 voltage-free changeover contacts
 DA 14: 4 voltage-free changeover contacts

Switching hysteresis adjustable

Contact rating: AC 250 V, 2 A, 100 VA

Housing

Standard rack mounting housing

W x H x D: 96 x 48 x 135 mm

Panel cut out

W x H: 92 x 45 mm

Degree of protection (front)

IP 65 (EN 60529)

Linearisation

Customer-specific linearisation with a max. of 24 points for the indication of volume (e.g. litres) in non-linear tanks. Bearing charts for cylindrical horizontal tanks and spherical tanks are pre-programmed.

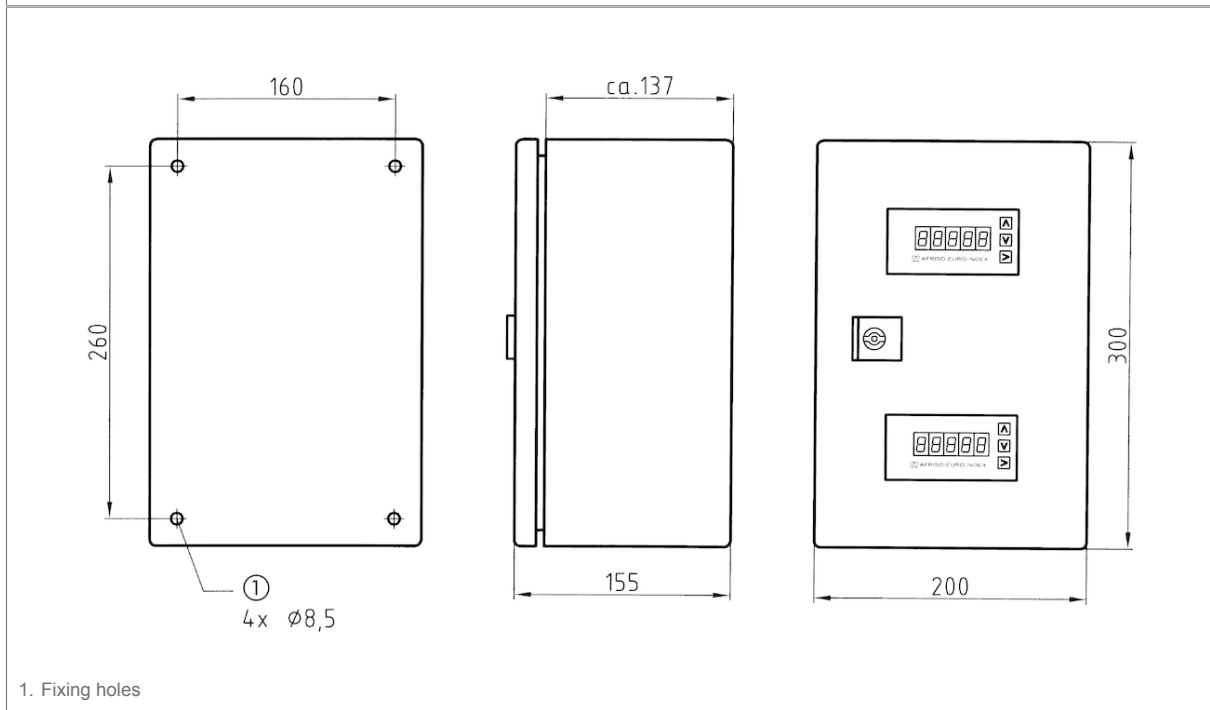
Min./max. value memory

The highest and lowest values reached during operation can be displayed.

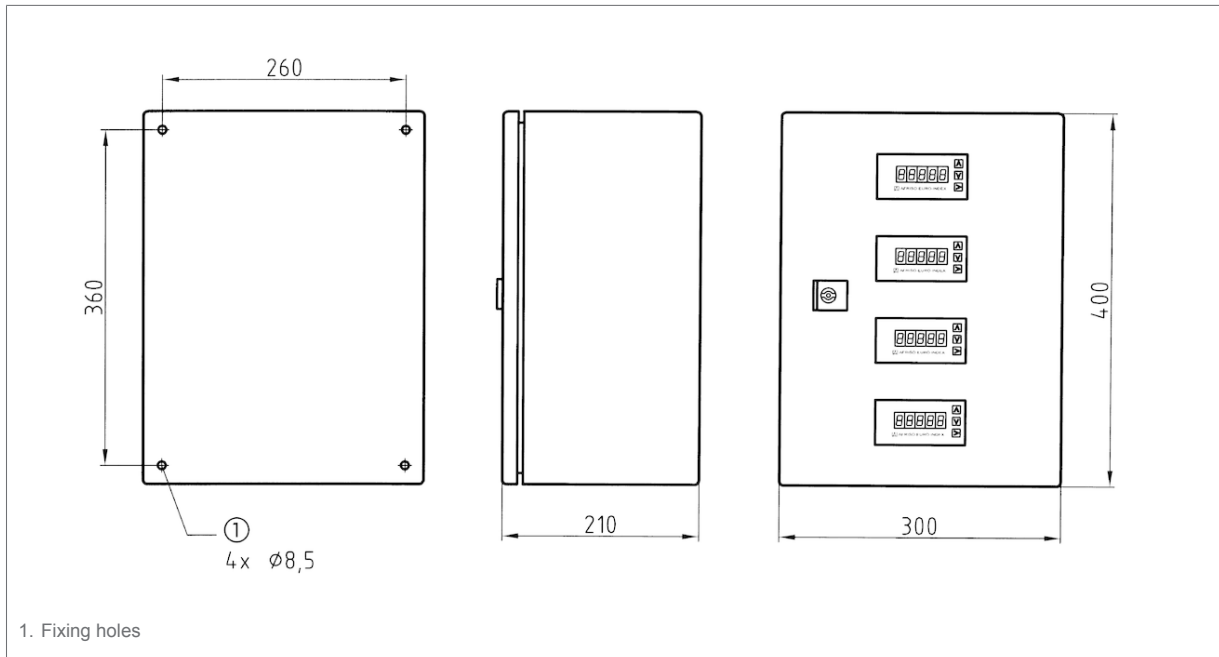
Detail views



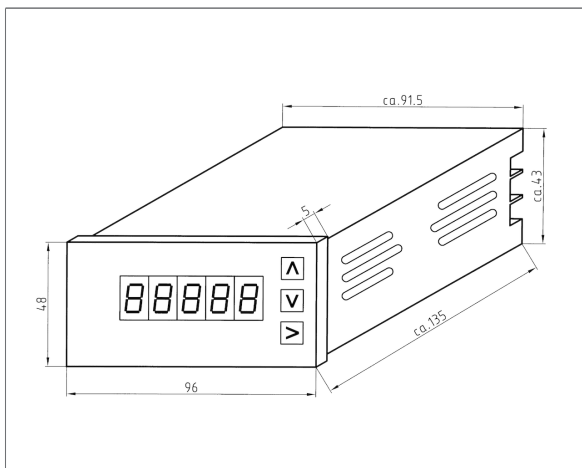
- 1. Digital display unit DA 12
- 2. Signalling device
- 3. Pressure transducers DMU 07



- 1. Fixing holes



Technical drawings



Panel cut out

