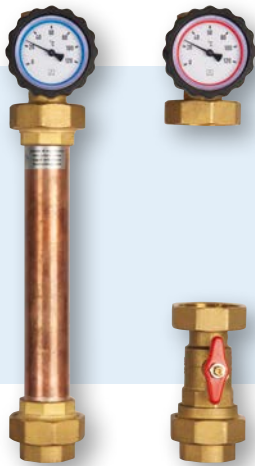


Heating pump assembly

PrimoTherm® 180-1 DN 32



- Pre-assembled, tightness-tested and heat-insulated assembly
- Compact design
- Available with high energy efficiency pump class A
- Easy and fast installation



Application Heating pump assembly for non-mixed heating circuits, specially for storage tank charging. It connects the heating boiler and the pipe system.

Description Complete, pre-assembled and tightness-tested heating pump assembly with all required functional components, form-fit insulation and wall mounting unit.

The pump line (flow/hot) consists of:

- Combination valve with thermometer in the hand wheel (red mark, range 0/120 °C)
- Ball valve below the pump
- System connection G2 male (boiler) and additional screw connections G1¼ female x G1¼ female (heating circuit)

Suitable for pumps DN 32 with G2 x 180 mm.

The return line consists of:

- Combination valve, thermometer in the hand wheel (blue mark, range 0/120 °C)
- Pipe for length compensation with gravity brake and screw connection
- System connection G2 male (boiler) and additional screw connections G1¼ female x G1¼ female (heating circuit)

Technical specifications

Axis distance

125 mm

System connections

Boiler G1¼ female
Heating circuit G1¼ female

Operating temperature range

Medium: T_{max} 110 °C

System pressure

Max. 10 bar (observe maximum pressure of circulation pumps used)

Circulation pump

WILO STRATOS PARA 30/1-7 r. K.

Length

180 mm

Degree of protection

IP 44

Supply voltage

AC 230 V, 50 Hz

Nominal size

DN 32

Flow coefficient NS

21.0 m³/h

Insulation

Polypropylene EPP

Power input

5–70 W

Pumping head/rate

7 m / 4.5 m³/h

Control

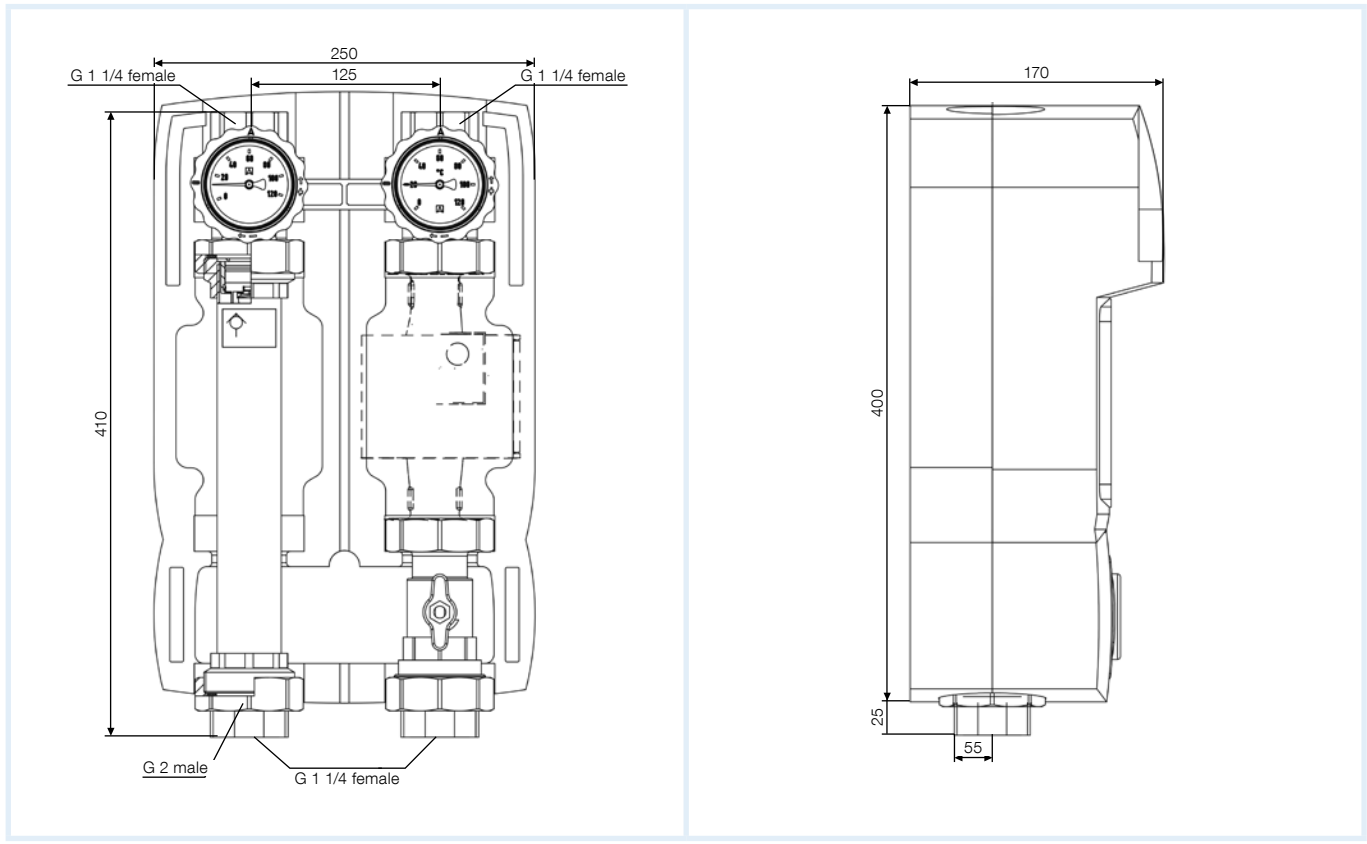
Constant differential pressure
Constant volume flow



DG: G, PG: 2	Pump	Part no.	Price €
PrimoTherm® 180-1 DN 32 OM OP G1¼ female thread	Without pump	77550	
PrimoTherm® 180-1 DN 32 OM WP02 G1¼ female thread	WILO STRATOS PARA 30/1-7 r. K.	77551	

Heating pump assembly PrimoTherm® 180-1 DN 32

Dimensions (mm)



7