

Chemical seals MD 70 for homogenising machines



- For high pressures
- Ideal for high dynamic loads
- Compact and robust design
- Easy integration into existing systems

2



Application For mounting to Bourdon tube pressure gauges and pressure transducers. For highly viscous media at high pressures. Specially for homogenising machines.

Technical specifications

Process connection

Stainless steel 316 L
Loose retaining flange,
Stainless steel

Diaphragm

Stainless steel 316 L
Welded to upper body, no dead space

Instrument connection

Stainless steel 316 L
Welded connection

Pressure transmission liquid

Paraffin oil (FM 09), FDA-listed

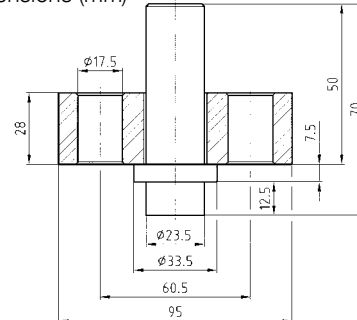
Pressure ranges

See price list section

Nominal pressure

PN 600

Dimensions (mm)



Options ▪ Other filling liquids

DG: M

MD 70 version for homogenising machines

	PG	Part no.	Price €
Instrument connection stainless steel 316 L Process connection stainless steel 316 L, DN 23.9, PN 600 Ranges 0/100 to 0/600 bar*	3	31352W	

Price reduction without retaining flange	-	Net	
------------------------------------------	---	-----	--

*Valid for standard pressure transmission liquid with direct mounting (without capillary tube) **Blue part no.** = in-stock items and a room temperature and a temperature of the medium of 20 °C.