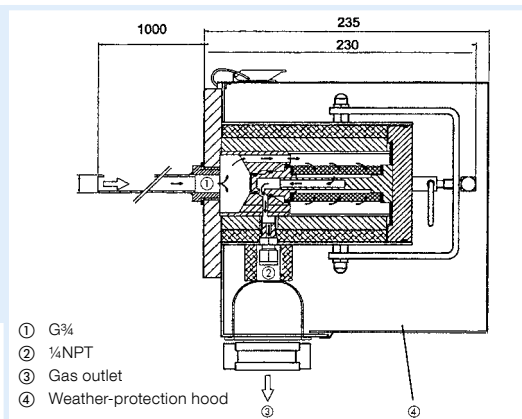


Stationary gas sampling probe SP 210



- Low dead volume, short response time
- Simple filter replacement
- Easy cleaning of filter chamber and sampling pipe
- Self-controlling electrical heating system with undertemperature alarm contact
- Modular design for optimum adaptation to process requirements

Application For stationary, continuous sampling of gases and filtration of particulate matter at the sampling point. Part of the required maintenance of a complete analysis system can thus be focused on the first component in the chain of components; mixtures of particulate matter and coarse dust are filtered to a high degree.

Description Stationary gas sampling probe with external, electrically heated ceramic filter; with mounting flange and G $\frac{3}{4}$ female thread for sampling pipe or pre-filter. A deep-bed ceramic filter element with a large surface is located in a housing with a low dead volume outside of the sampling space. The filter element is easy to replace; no tools are required and the heated pipe does not need to be dismantled. Heating of the complete filter housing including the mounting flange ensures reliable operation without dew point problems in external areas. The unit is heated to +180 °C by means of self-controlling heating elements. Therefore, heating controllers or thermostats are not required. A thermo switch monitors the sampling probe for undertemperature. Version SP 210-HP with weather protection hood for outdoor applications.

Technical specifications

Operating temperature range

Ambient: -20/+80 °C
Medium: Max. 1,300 °C

Sampling pressure: 0.4/2 bar absolute

Dust admission: Max. 1 g/m³

Filter space volume: 100 ml

Filter element

Type F-2K, filter fineness 2 µm, ceramic

Probe heating

+180 °C, self/controlling
Alarm contact: < 160 °C
Switch rating: AC 250 V / DC 30 V, 3 A (AC/DC)

Connection gas outlet

Swagelok pipe connector Ø 6 x 1 mm

Supply voltage

AC 110–240 V, 50/60 Hz

Power input

Starting phase: 400 VA
Operation: 70 VA
Fuse: 6 A

Mounting flange

DN 65 PN 6, type B as per EN 1092
Stainless steel 316 Ti

Wetted parts

Stainless steel 316 Ti, FPM, ceramic

Housing

W x H x D: 170 x 220 x 230 mm
Weight: 6.5 kg (SP 210-H)
8.5 kg (SP 210-H/W)

Degree of protection

SP 210-H: IP 54 (EN 60529)
SP 210-H/W: IP 55 (EN 60529)

PG: 4			Part no.	Price €
Gas sampling probe SP 210-H, heated	1	1	68935	
Gas sampling probe SP 210-H/W, heated	1	1	68936	
Accessories				
Steel sampling pipe SP 210 stainless steel Length 1 m (max. 600 °C)	1	1	68940	
Sampling pipe SP 210 titanium Length 1 m, for corrosive gases (max. 400 °C)	1	1	68941	
Sampling pipe SP 210 Kanthal (max. 1300 °C)	1	1	68942	
Pre-filter VFS-2 for dust admission 2–16 g/m³	1	1	68945	On request
Pre-filter VFS-10 for dust admission >10 g/m³	1	1	68946	On request
Filter element F-2K ceramic 2 µm	1	1	68950	

Blue part no. = in-stock items

i

Please enquire for other gas sampling probes and heated gas sampling lines.