



## Capacitance level switch CapFox® ENT 21



### Benefits

- IP 68 degree of protection
- For temperatures of the medium of up to 300 °C

### Application

For level detection of conductive and non-conductive liquids in tanks, ducts, pipes or silos. Particularly suitable for application in the food, pharmaceutical and chemical industries. Also ideal for level detection of bulk solids such as sand, gravel, cement and granular material stored in open or closed containers.

### Versions

#### CapFox® ENT 21 MK

Model / series	Process connection	Part no.
CapFox® ENT 21 MK -05 ST	G1B	5656005ST-L-1B01
CapFox® ENT 21 MK -05 ST	G1B	5656005ST-L-1B02
CapFox® ENT 21 MK -05 ST	G¾B	5656005ST-L-2B01
CapFox® ENT 21 MK -05 ST	G¾B	5656005ST-L-2B02
CapFox® ENT 21 MK -05 ST	–	5656005ST-L-3B01
CapFox® ENT 21 MK -05 ST	–	5656005ST-L-3B02
CapFox® ENT 21 MK -05 ST	–	5656005ST-L-4B01
CapFox® ENT 21 MK -05 ST	–	5656005ST-L-4B02
CapFox® ENT 21 MK -05 ST	–	5656005ST-L-5B01
CapFox® ENT 21 MK -05 ST	–	5656005ST-L-5B02
CapFox® ENT 21 MK -05 HT	G1B	5656005HT-L-1B01

Blue part no. = in-stock items



Model / series	Process connection	Part no.
CapFox® ENT 21 MK -05 HT	G1B	5656005HT-L-1B02
CapFox® ENT 21 MK -05 HT	G¾B	5656005HT-L-2B01
CapFox® ENT 21 MK -05 HT	G¾B	5656005HT-L-2B02
CapFox® ENT 21 MK -05 HT	–	5656005HT-L-3B01
CapFox® ENT 21 MK -05 HT	–	5656005HT-L-3B02
CapFox® ENT 21 MK -05 HT	–	5656005HT-L-4B01
CapFox® ENT 21 MK -05 HT	–	5656005HT-L-4B02
CapFox® ENT 21 MK -05 HT	–	5656005HT-L-5B01
CapFox® ENT 21 MK -05 HT	–	5656005HT-L-5B02
CapFox® ENT 21 MK -10 ST	G1B	5656010ST-L-1B01
CapFox® ENT 21 MK -10 ST	G1B	5656010ST-L-1B02
CapFox® ENT 21 MK -10 ST	G¾B	5656010ST-L-2B01
CapFox® ENT 21 MK -10 ST	G¾B	5656010ST-L-2B02
CapFox® ENT 21 MK -10 ST	–	5656010ST-L-3B01
CapFox® ENT 21 MK -10 ST	–	5656010ST-L-3B02
CapFox® ENT 21 MK -10 ST	–	5656010ST-L-4B01
CapFox® ENT 21 MK -10 ST	–	5656010ST-L-4B02
CapFox® ENT 21 MK -10 ST	–	5656010ST-L-5B01
CapFox® ENT 21 MK -10 ST	–	5656010ST-L-5B02
CapFox® ENT 21 MK -10 HT	G1B	5656010HT-L-1B01
CapFox® ENT 21 MK -10 HT	G1B	5656010HT-L-1B02
CapFox® ENT 21 MK -10 HT	G¾B	5656010HT-L-2B01
CapFox® ENT 21 MK -10 HT	G¾B	5656010HT-L-2B02
CapFox® ENT 21 MK -10 HT	–	5656010HT-L-3B01
CapFox® ENT 21 MK -10 HT	–	5656010HT-L-3B02
CapFox® ENT 21 MK -10 HT	–	5656010HT-L-4B01

Blue part no. = in-stock items



Model / series	Process connection	Part no.
CapFox® ENT 21 MK -10 HT	-	5656010HT-L-4B02
CapFox® ENT 21 MK -10 HT	-	5656010HT-L-5B01
CapFox® ENT 21 MK -10 HT	-	5656010HT-L-5B02

Blue part no. = in-stock items

**CapFox® ENT 21 MS**

Model / series	Process connection	Part no.
CapFox® ENT 21 MS -20 ST	G1B	5656020ST-L-1B01
CapFox® ENT 21 MS -20 ST	G1B	5656020ST-L-1B02
CapFox® ENT 21 MS -20 ST	G¾B	5656020ST-L-2B01
CapFox® ENT 21 MS -20 ST	G¾B	5656020ST-L-2B02
CapFox® ENT 21 MS -20 ST	-	5656020ST-L-3B01
CapFox® ENT 21 MS -20 ST	-	5656020ST-L-3B02
CapFox® ENT 21 MS -20 ST	-	5656020ST-L-4B01
CapFox® ENT 21 MS -20 ST	-	5656020ST-L-4B02
CapFox® ENT 21 MS -20 ST	-	5656020ST-L-5B01
CapFox® ENT 21 MS -20 ST	-	5656020ST-L-5B02
CapFox® ENT 21 MS -20 HT	G1B	5656020HT-L-1B01
CapFox® ENT 21 MS -20 HT	G1B	5656020HT-L-1B02
CapFox® ENT 21 MS -20 HT	G¾B	5656020HT-L-2B01
CapFox® ENT 21 MS -20 HT	G¾B	5656020HT-L-2B02
CapFox® ENT 21 MS -20 HT	-	5656020HT-L-3B01
CapFox® ENT 21 MS -20 HT	-	5656020HT-L-3B02
CapFox® ENT 21 MS -20 HT	-	5656020HT-L-4B01
CapFox® ENT 21 MS -20 HT	-	5656020HT-L-4B02
CapFox® ENT 21 MS -20 HT	-	5656020HT-L-5B01
CapFox® ENT 21 MS -20 HT	-	5656020HT-L-5B02
CapFox® ENT 21 MS -21 ST	G1B	5656021ST-L-1B01
CapFox® ENT 21 MS -21 ST	G1B	5656021ST-L-1B02
CapFox® ENT 21 MS -21 ST	G¾B	5656021ST-L-2B01

Blue part no. = in-stock items



Model / series	Process connection	Part no.
CapFox® ENT 21 MS -21 ST	G¾B	5656021ST-L-2B02
CapFox® ENT 21 MS -21 ST	-	5656021ST-L-3B01
CapFox® ENT 21 MS -21 ST	-	5656021ST-L-3B02
CapFox® ENT 21 MS -21 ST	-	5656021ST-L-4B01
CapFox® ENT 21 MS -21 ST	-	5656021ST-L-4B02
CapFox® ENT 21 MS -21 ST	-	5656021ST-L-5B01
CapFox® ENT 21 MS -21 ST	-	5656021ST-L-5B02
CapFox® ENT 21 MS -21 HT	G1B	5656021HT-L-1B01
CapFox® ENT 21 MS -21 HT	G1B	5656021HT-L-1B02
CapFox® ENT 21 MS -21 HT	G¾B	5656021HT-L-2B01
CapFox® ENT 21 MS -21 HT	G¾B	5656021HT-L-2B02
CapFox® ENT 21 MS -21 HT	-	5656021HT-L-3B01
CapFox® ENT 21 MS -21 HT	-	5656021HT-L-3B02
CapFox® ENT 21 MS -21 HT	-	5656021HT-L-4B01
CapFox® ENT 21 MS -21 HT	-	5656021HT-L-4B02
CapFox® ENT 21 MS -21 HT	-	5656021HT-L-5B01
CapFox® ENT 21 MS -21 HT	-	5656021HT-L-5B02
CapFox® ENT 21 MS -22 ST	G1B	5656022ST-L-1B01
CapFox® ENT 21 MS -22 ST	G1B	5656022ST-L-1B02
CapFox® ENT 21 MS -22 ST	G¾B	5656022ST-L-2B01
CapFox® ENT 21 MS -22 ST	G¾B	5656022ST-L-2B02
CapFox® ENT 21 MS -22 ST	-	5656022ST-L-3B01
CapFox® ENT 21 MS -22 ST	-	5656022ST-L-3B02
CapFox® ENT 21 MS -22 ST	-	5656022ST-L-4B01
CapFox® ENT 21 MS -22 ST	-	5656022ST-L-4B02
CapFox® ENT 21 MS -22 ST	-	5656022ST-L-5B01
CapFox® ENT 21 MS -22 ST	-	5656022ST-L-5B02
CapFox® ENT 21 MS -22 HT	G1B	5656022HT-L-1B01

Blue part no. = in-stock items



Model / series	Process connection	Part no.
CapFox® ENT 21 MS -22 HT	G1B	5656022HT-L-1B02
CapFox® ENT 21 MS -22 HT	G¾B	5656022HT-L-2B01
CapFox® ENT 21 MS -22 HT	G¾B	5656022HT-L-2B02
CapFox® ENT 21 MS -22 HT	–	5656022HT-L-3B01
CapFox® ENT 21 MS -22 HT	–	5656022HT-L-3B02
CapFox® ENT 21 MS -22 HT	–	5656022HT-L-4B01
CapFox® ENT 21 MS -22 HT	–	5656022HT-L-4B02
CapFox® ENT 21 MS -22 HT	–	5656022HT-L-5B01
CapFox® ENT 21 MS -22 HT	–	5656022HT-L-5B02

Blue part no. = in-stock items

**CapFox® ENT 21 MF**

Model / series	Process connection	Part no.
CapFox® ENT 21 MF -60 ST	G1B	5656060ST-L-1B01
CapFox® ENT 21 MF -60 ST	G1B	5656060ST-L-1B02
CapFox® ENT 21 MF -60 ST	G¾B	5656060ST-L-2B01
CapFox® ENT 21 MF -60 ST	G¾B	5656060ST-L-2B02
CapFox® ENT 21 MF -60 ST	–	5656060ST-L-3B01
CapFox® ENT 21 MF -60 ST	–	5656060ST-L-3B02
CapFox® ENT 21 MF -60 ST	–	5656060ST-L-4B01
CapFox® ENT 21 MF -60 ST	–	5656060ST-L-4B02
CapFox® ENT 21 MF -60 ST	–	5656060ST-L-5B01
CapFox® ENT 21 MF -60 ST	–	5656060ST-L-5B02
CapFox® ENT 21 MF -60 HT	G1B	5656060HT-L-1B01
CapFox® ENT 21 MF -60 HT	G1B	5656060HT-L-1B02
CapFox® ENT 21 MF -60 HT	G¾B	5656060HT-L-2B01
CapFox® ENT 21 MF -60 HT	G¾B	5656060HT-L-2B02
CapFox® ENT 21 MF -60 HT	–	5656060HT-L-3B01
CapFox® ENT 21 MF -60 HT	–	5656060HT-L-3B02
CapFox® ENT 21 MF -60 HT	–	5656060HT-L-4B01

Blue part no. = in-stock items



Model / series	Process connection	Part no.
CapFox® ENT 21 MF -60 HT	–	5656060HT-L-4B02
CapFox® ENT 21 MF -60 HT	–	5656060HT-L-5B01
CapFox® ENT 21 MF -60 HT	–	5656060HT-L-5B02

Blue part no. = in-stock items

## Description

The capacitance level switch CapFox® ENT 21 consists of an electronics module integrated in a robust stainless steel housing and the measuring electrode. The electrode is partially or fully insulated; in conjunction with a conductive tank wall or an earthed counter-electrode, it forms a capacitor whose capacitance depends on the electric characteristics of the environment. As soon as the dielectric (electric field) is no longer formed by a air or a another gas (free electrode), but by a liquid or the bulk solids, the capacitance changes. This is converted into a switching signal by the electronics. An NPN or a PNP transistor output is available as electrical output. The sensor output of the EX version complies with EN 60947 (NAMUR).

Fully or partially insulated rigid probes or flexible probes are available, depending on the medium and the application. Only fully insulated electrodes are used for level detection of adhesive, corrosive or electrically conductive media.

## Technical specifications

### Indicator

LED green: Operation

### Process connection

G1B

G¾B

### Material

Housing: Stainless steel 304

Probe

MS: Stainless steel 316 L

MF: Stainless steel 316

### Supply voltage

DC 7 – 34 V

### Current input

Max. 5 mA

### Degree of protection

IP68 (EN 60529)

### Electrical connection

Cable gland M12 x

1.5

Cable length: 2 m

### Weight

Approx. 0.3 kg

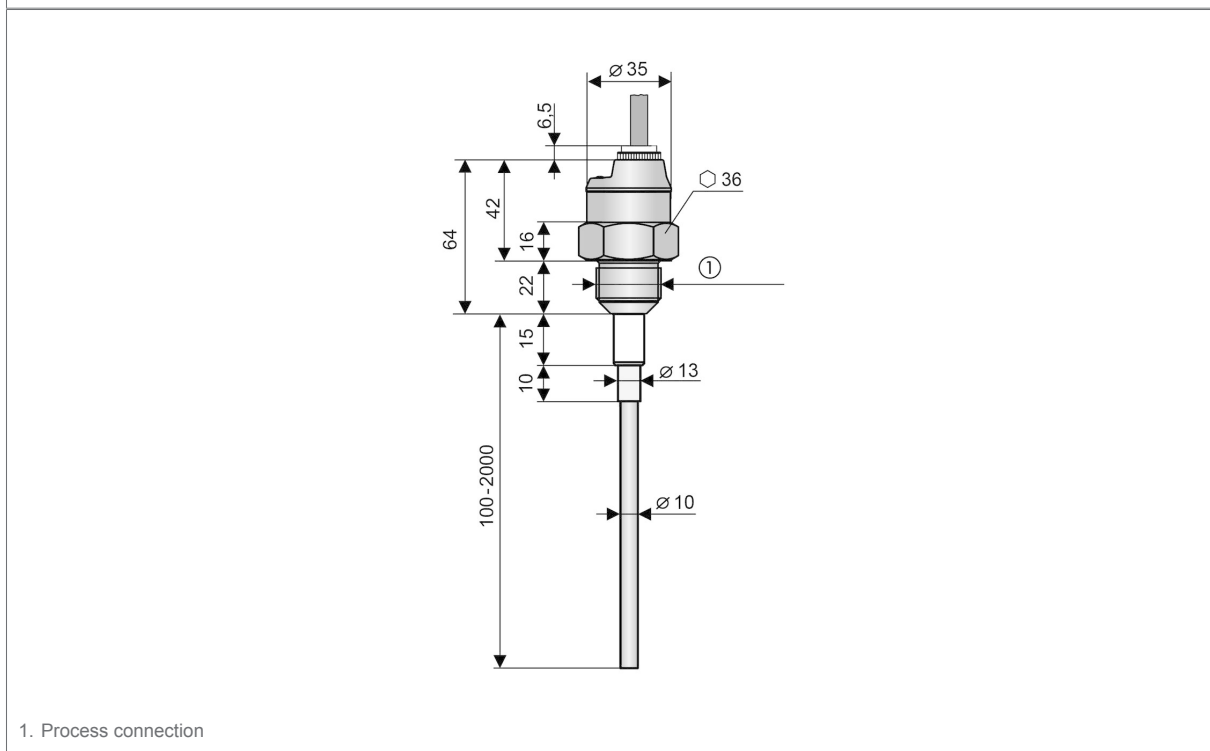
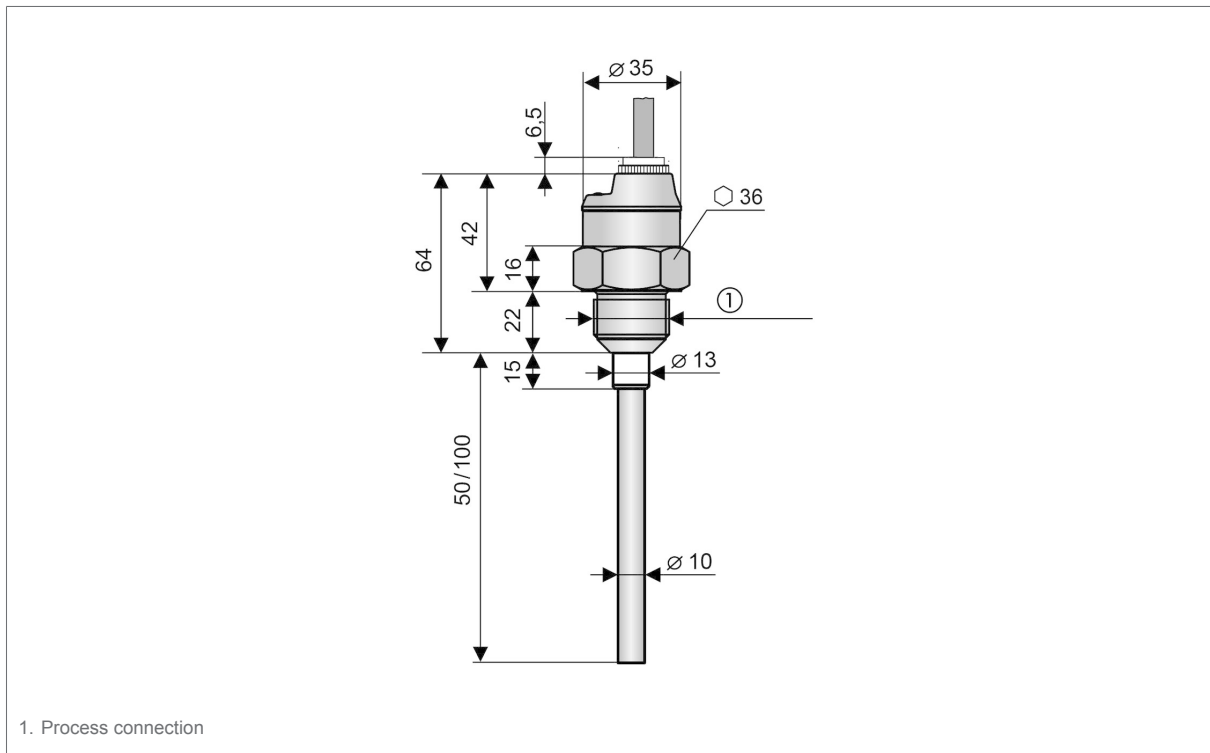
Approx. 0.6 kg

## Options

- Other process connections
- FEP/PFA coatings
- Ex II 1 G Ex ia IIB T6 Ga
- Ex II 1 D Ex ia IIIC T80°C Da
- Ex I M1 Ex ia I Ma
- Ex II 1/2 G Ex ia IIB T6 Ga/Gb
- Ex II 1/2 D Ex ia IIIC T80°C Da/Db



Detail views





Technical drawings

