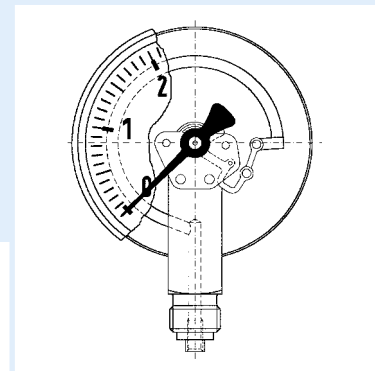
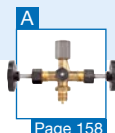


Glycerine filled Bourdon tube pressure gauges

EN 837-1



- Robust, stainless steel housing with bayonet bezel
- Can be used in case of heavy vibrations and high, dynamic pressure loads
- Longer service life due to less wear and corrosion protection of the measuring system
- No steaming up of the inside of the window in case of outdoor applications
- DNV-certified



1

Application For gaseous and liquid media which are not highly viscous, do not crystallise and do not attack copper alloys. For measurements in areas with high vibration levels and high, dynamic pressure loads. ! For measuring gas or vapour, these gauges must be used in accordance with the table "Selection Criteria as per EN 837-2" (see appendix)!

Technical specifications

Type

D 8
D 751

Nominal size

100 – 160

Accuracy class (EN 837-1/6)

1.0

Ranges (EN 837-1/5)

-1/0 to -1/+15 bar
0/0.6 to 0/1000 bar

Application area

Static load:

≤ 600 bar = full scale value
> 600 bar = ¾ x full scale value

Dynamic load:

≤ 600 bar = 0.9 x full scale value
> 600 bar = ⅔ x full scale value

Short-term:

≤ 600 bar = 1.3 x full scale value
> 600 bar = full scale value

Operating temperature range

Medium: $T_{max} = +60\text{ °C}$
Ambient: $T_{min} = -20\text{ °C}$
 $T_{max} = +60\text{ °C}$

Temperature performance

Indication error when the temperature of the measuring system deviates from the normal temperature of 20 °C:

rising temperature approx. ±0.4 %/10 K
falling temperature approx. ±0.4 %/10 K
of full scale value

Degree of protection

IP 65 (EN 60529)
with housing vent (≤ 25 bar): IP 54

Standard version

Connection

Brass, bottom or bottom back
G½B – spanner size SW 22 (EN 837-1/7.3)

Measuring element

Bourdon tube,
≤ 60 bar "C" type tube, copper alloy
> 60 bar helical tube,
stainless steel 316 Ti/316 L

Movement

Brass

Dial

Aluminium, white
Dial marking, black

Pointer

Aluminium, black

Housing

Stainless steel 304 with blow-out

Bayonet type bezel

Stainless steel 304
(D 751 = crimped bezel)

Window

Instrument glass
(D 751 = plastic)

Filling liquid

Glycerine (99.5 %)

Options

- Back flange
- 3-hole fixing, panel mounting bezel
- Special scales
- Other process connections

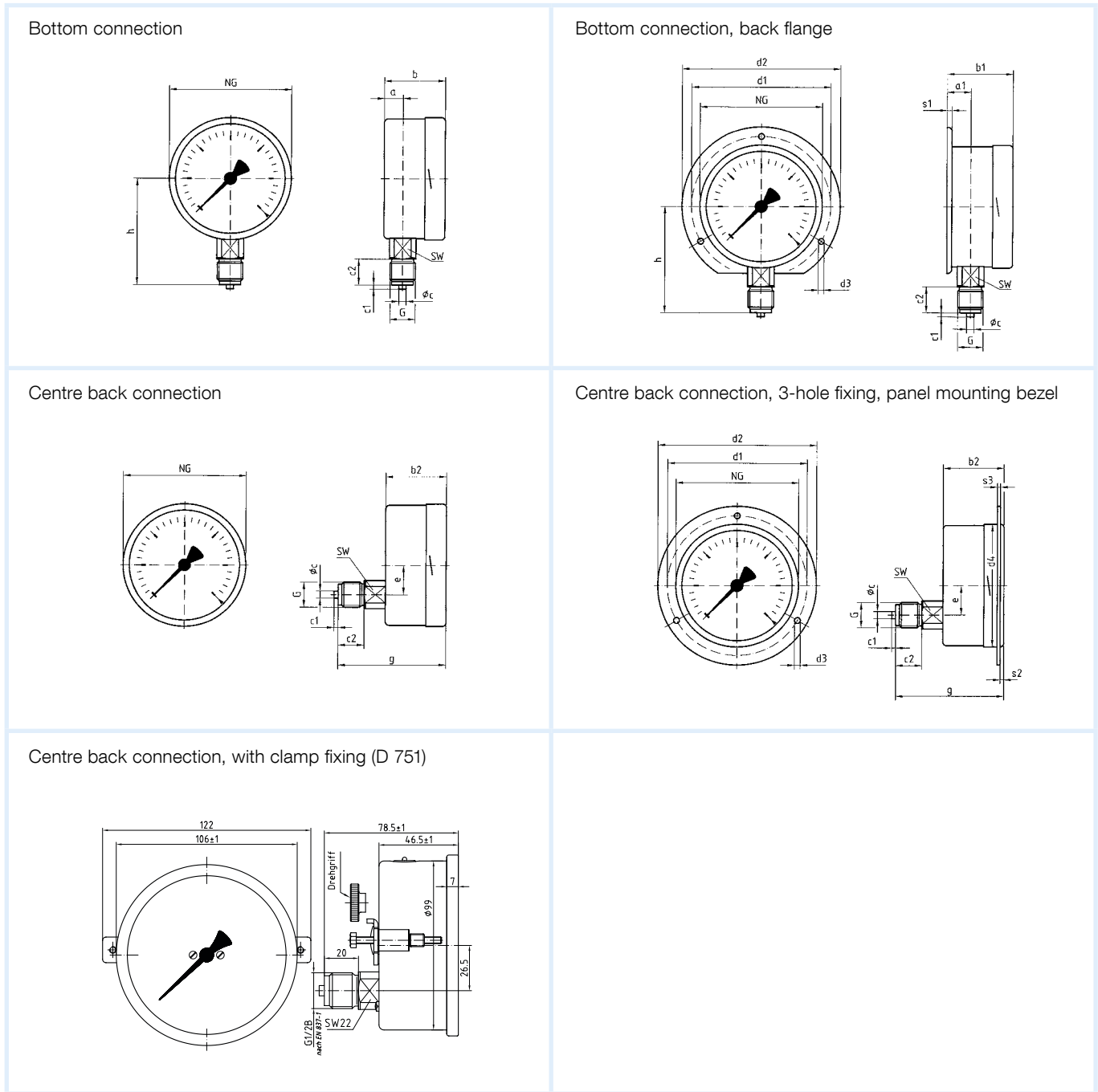


See page 51 for prices.

Glycerine filled Bourdon tube pressure gauges

Type D 8/D 751 – NG 100/160

1 Housing types and dimensions



Dimensions (mm)

Nominal size (NG)	a	a1	b	b1	b2	Øc	c1	c2	d1*	d2	d3*	d4	e	G	g	h	s1
100	15.6	19.1	49	52.5	49	6	3	20	116	132	4.8	104	26.5	G½B	81	86	5.5
160	17.5	20	50	53	50	6	3	20	178	196	5.8	164	26.5	G½B	82	116	6
Nominal size (NG)	s2	s3	SW														
100	4	2	22														
160	4	2	22														

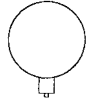
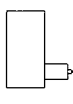
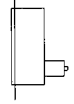
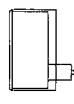
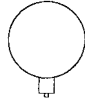
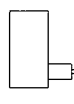
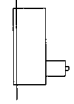
* Dimensions as per DIN 16064.

Glycerine filled Bourdon tube pressure gauges

EN 837-1

DG: M, PG: 2

1

Type	RF100Gly, D801	RF100Gly, D811	RF100Gly, D831	RF100Gly, D751	RF160Gly, D801	RF160Gly, D811	RF160Gly, D831
Version							
Housing Ø	100	100	100	100	160	160	160
Housing	Stainless steel 304, window, see data sheet						
Measuring element	Bourdon tube, copper alloy (> 60 bar stainless steel 316 Ti/316 L)						
Accuracy class	1.0	1.0	1.0	1.0	1.0	1.0	1.0
Connection	G½B	G½B	G½B	G½B	G½B	G½B	G½B
			3-hole fixing, panel mounting bezel, 304, polished	Crimped bezel 304 with clamp fixing			3-hole fixing, panel mounting bezel, 304, polished
Range (bar)	Part no.	Part no.	Part no.	Part no.	Part no.	Part no.	Part no.
Price €							
-1/0	85201801	85201811	85201831	85301751	85251801	85251811	85251831
-1/+0.6	85202801	85202811	85202831	85302751	85252801	85252811	85252831
-1/+1.5	85203801	85203811	85203831	85303751	85253801	85253811	85253831
-1/+3	85204801	85204811	85204831	85304751	85254801	85254811	85254831
-1/+5	85205801	85205811	85205831	85305751	85255801	85255811	85255831
-1/+9	85206801	85206811	85206831	85306751	85256801	85256811	85256831
-1/+15	85207801	85207811	85207831	85307751	85257801	85257811	85257831
Price €							
0/0.6	85209801	85209811	85209831	85309751	85259801	85259811	85259831
0/1	85210801	85210811	85210831	85310751	85260801	85260811	85260831
0/1.6	85211801	85211811	85211831	85311751	85261801	85261811	85261831
0/2.5	85212801	85212811	85212831	85312751	85262801	85262811	85262831
0/4	85213801	85213811	85213831	85313751	85263801	85263811	85263831
0/6	85214801	85214811	85214831	85314751	85264801	85264811	85264831
0/10	85215801	85215811	85215831	85315751	85265801	85265811	85265831
0/16	85216801	85216811	85216831	85316751	85266801	85266811	85266831
0/25	85217801	85217811	85217831	85317751	85267801	85267811	85267831
0/40	85218801	85218811	85218831	85318751	85268801	85268811	85268831
Price €							
0/60	85219801	85219811	85219831	85319751	85269801	85269811	85269831
0/100	85220801	85220811	85220831	85320751	85270801	85270811	85270831
0/160	85221801	85221811	85221831	85321751	85271801	85271811	85271831
0/250	85222801	85222811	85222831	85322751	85272801	85272811	85272831
0/400	85223801	85223811	85223831	85323751	85273801	85273811	85273831
Price €							
0/600	85224801	85224811	85224831	85324751	85274801	85274811	85274831
0/1000	85225801	85225811	85225831	85325751	85275801	85275811	85275831

Minimum order quantity for non-stock items = 10 pieces.

Blues part no. = in-stock items



See page 72 for extra charges.