

## Bourdon tube pressure gauges for industrial applications Type D4



### Benefits

- For machine and plant engineering
- Robust, stainless steel housing with bayonet bezel
- Optionally available up to nominal size 250 mm
- Can be equipped with electrical contact
- DNV type approval and GOSSTANDART-certified

### Application

For gaseous and liquid media which are not highly viscous, do not crystallise and do not attack copper alloys. For high accuracy and rough application conditions.

! For measuring gas or vapour, observe the table "Selection Criteria as per EN 837-2" (see appendix)!

### Technical specifications

#### Type

D4

#### Nominal size

100 – 160

#### Accuracy class (EN 837-1/6)

1,0

#### Ranges (EN 837-1/5)

See ordering table

#### Application area

Static load

≤ 600 bar: Full scale value  
> 600 bar: ¾ x full scale value

Dynamic load

≤ 600 bar: 0.9 x full scale value  
> 600 bar: ¾ x full scale value

Short-term

≤ 600 bar: 1.3 x full scale value  
> 600 bar: Full scale value

#### Operating temperature range

Medium: Max. 60 °C

Ambient: -20/+60 °C

#### Temperature performance

Indication error when the temperature of the measuring system deviates from the normal temperature of 20 °C:  
of full scale value

#### Degree of protection

IP 54 (EN 60529)

## Standard version

### Connection

Brass, bottom or bottom back

### Measuring element

Bourdon tube

≤ 60 bar: "C" type tube, Copper alloy

> 60 bar: Helical tube, stainless steel 316 Ti/316 L

### Movement

Brass

### Dial

Aluminium, white

Scaling black

### Pointer

Aluminium, black

### Housing

Stainless steel 304, with blow-out

### Bayonet type bezel

Stainless steel 304

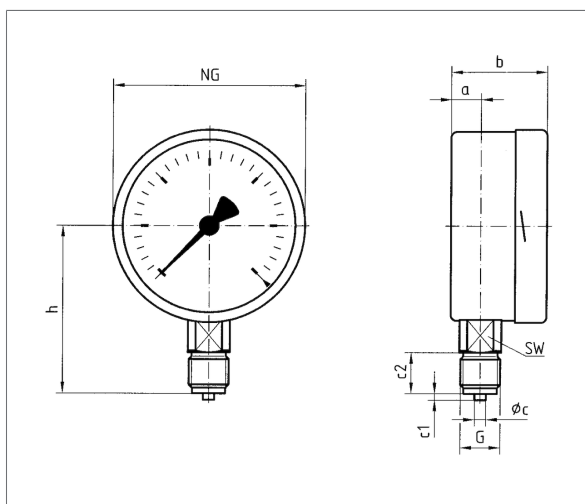
### Window

Instrument glass

## Options

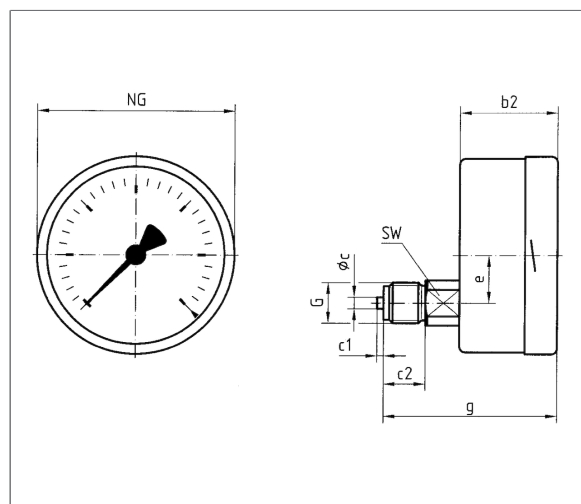
- Nominal size 250 (bottom connection)
- Back flange
- Panel mounting bezel
- 3-hole fixing, panel mounting bezel
- Laminated safety glass window
- Damping screw
- Reference pointer
- Electrical contacts
- Special scales
- Other process connections

## Technical drawings



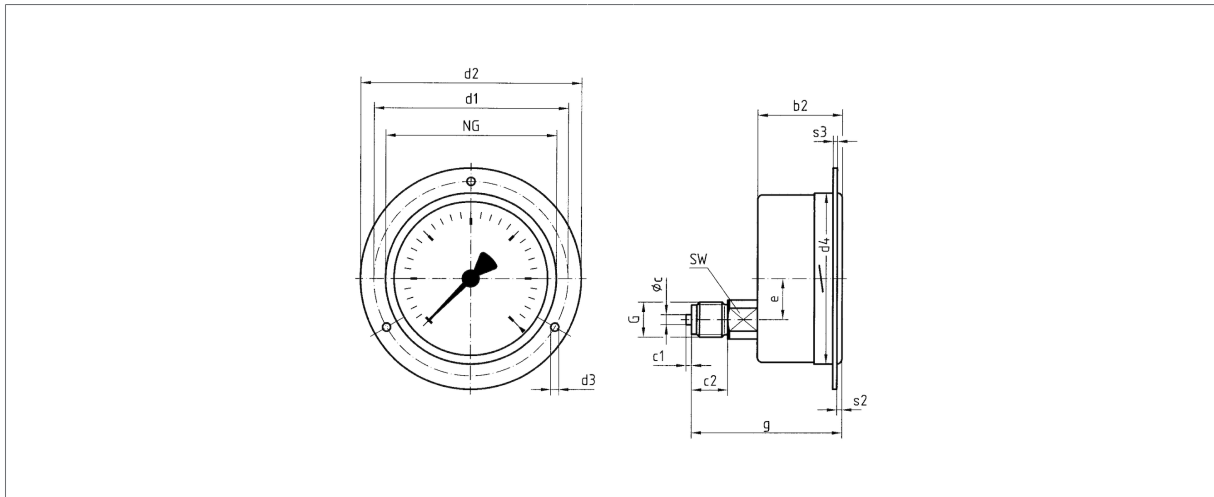
Dimensions (mm)

NG	a	b	øc	c1	c2	G	h	SW
100	15,6	49	6	3	20	G½B	86	22
160	17,5	50	6	3	20	G½B	116	22
250	16	57	6	3	20	G½B	165	22



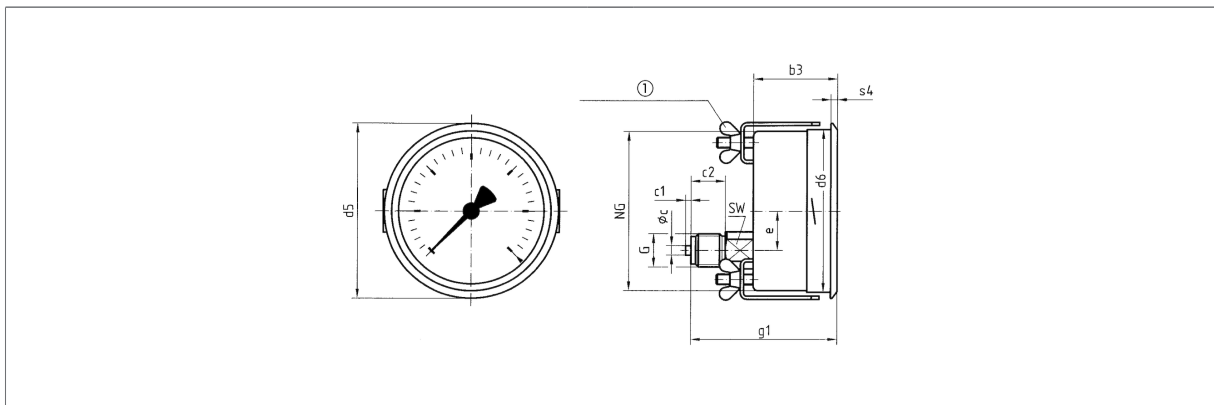
Dimensions (mm)

NG	b2	øc	c1	c2	e	G	g	SW
100	49	6	3	20	26,5	G½B	81	22
160	50	6	3	20	26,5	G½B	82	22
250	-	6	3	20	-	G½B	-	22



Dimensions (mm)

NG	b2	∅c	c1	c2	d1*	d2	d3*	d4	e	G	g	s2	s3	SW
100	49	6	3	20	116	132	4,8	104	26,5	G½B	81	4	2	22
160	50	6	3	20	178	196	5,8	164	26,5	G½B	82	4	2	22
250	-	6	3	20	270	285	5,8	-	-	G½B	-	-	-	22



Dimensions (mm)

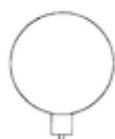
NG	b3	∅c	c1	c2	d5	d6	e	G	g1	s4	SW
100	49	6	3	20	107	101	26,5	G½B	81	4	22
160	52	6	3	20	167	161	26,5	G½B	84	4,5	22
250	-	6	3	20	-	-	-	G½B	-	-	22



## Versions

### RF100I D401

Housing $\varnothing$	Connection	Alignment	Housing	Accuracy class	Range	Type	Part no.
100 mm	G $\frac{1}{2}$ B	Bottom	Stainless steel 304	1,0	-1/0 bar	RF100I D401	<a href="#">85301401</a>
100 mm	G $\frac{1}{2}$ B	Bottom	Stainless steel 304	1,0	-1/+0.6 bar	RF100I D401	85302401
100 mm	G $\frac{1}{2}$ B	Bottom	Stainless steel 304	1,0	-1/+1.5 bar	RF100I D401	<a href="#">85303401</a>
100 mm	G $\frac{1}{2}$ B	Bottom	Stainless steel 304	1,0	-1/+3 bar	RF100I D401	<a href="#">85304401</a>
100 mm	G $\frac{1}{2}$ B	Bottom	Stainless steel 304	1,0	-1/+5 bar	RF100I D401	<a href="#">85305401</a>
100 mm	G $\frac{1}{2}$ B	Bottom	Stainless steel 304	1,0	-1/+9 bar	RF100I D401	85306401
100 mm	G $\frac{1}{2}$ B	Bottom	Stainless steel 304	1,0	-1/+15 bar	RF100I D401	85307401
100 mm	G $\frac{1}{2}$ B	Bottom	Stainless steel 304	1,0	0/0.6 bar	RF100I D401	85309401
100 mm	G $\frac{1}{2}$ B	Bottom	Stainless steel 304	1,0	0/1 bar	RF100I D401	<a href="#">85310401</a>
100 mm	G $\frac{1}{2}$ B	Bottom	Stainless steel 304	1,0	0/1.6 bar	RF100I D401	<a href="#">85311401</a>
100 mm	G $\frac{1}{2}$ B	Bottom	Stainless steel 304	1,0	0/2.5 bar	RF100I D401	<a href="#">85312401</a>
100 mm	G $\frac{1}{2}$ B	Bottom	Stainless steel 304	1,0	0/4 bar	RF100I D401	<a href="#">85313401</a>
100 mm	G $\frac{1}{2}$ B	Bottom	Stainless steel 304	1,0	0/6 bar	RF100I D401	<a href="#">85314401</a>
100 mm	G $\frac{1}{2}$ B	Bottom	Stainless steel 304	1,0	0/10 bar	RF100I D401	<a href="#">85315401</a>
100 mm	G $\frac{1}{2}$ B	Bottom	Stainless steel 304	1,0	0/16 bar	RF100I D401	<a href="#">85316401</a>
100 mm	G $\frac{1}{2}$ B	Bottom	Stainless steel 304	1,0	0/25 bar	RF100I D401	<a href="#">85317401</a>
100 mm	G $\frac{1}{2}$ B	Bottom	Stainless steel 304	1,0	0/40 bar	RF100I D401	<a href="#">85318401</a>
100 mm	G $\frac{1}{2}$ B	Bottom	Stainless steel 304	1,0	0/60 bar	RF100I D401	<a href="#">85319401</a>
100 mm	G $\frac{1}{2}$ B	Bottom	Stainless steel 304	1,0	0/100 bar	RF100I D401	<a href="#">85320401</a>
100 mm	G $\frac{1}{2}$ B	Bottom	Stainless steel 304	1,0	0/160 bar	RF100I D401	<a href="#">85321401</a>
100 mm	G $\frac{1}{2}$ B	Bottom	Stainless steel 304	1,0	0/250 bar	RF100I D401	<a href="#">85322401</a>
100 mm	G $\frac{1}{2}$ B	Bottom	Stainless steel 304	1,0	0/400 bar	RF100I D401	<a href="#">85323401</a>
100 mm	G $\frac{1}{2}$ B	Bottom	Stainless steel 304	1,0	0/600 bar	RF100I D401	85324401
100 mm	G $\frac{1}{2}$ B	Bottom	Stainless steel 304	1,0	0/1,000 bar	RF100I D401	85325401

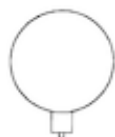


Blue part no. = in-stock items



RF160I D401

Housing ∅	Connection	Alignment	Housing	Accuracy class	Range	Type	Part no.
160 mm	G½B	Bottom	Stainless steel 304	1,0	-1/0 bar	RF160I D401	85351401
160 mm	G½B	Bottom	Stainless steel 304	1,0	-1/+0.6 bar	RF160I D401	85352401
160 mm	G½B	Bottom	Stainless steel 304	1,0	-1/+1.5 bar	RF160I D401	85353401
160 mm	G½B	Bottom	Stainless steel 304	1,0	-1/+3 bar	RF160I D401	85354401
160 mm	G½B	Bottom	Stainless steel 304	1,0	-1/+5 bar	RF160I D401	85355401
160 mm	G½B	Bottom	Stainless steel 304	1,0	-1/+9 bar	RF160I D401	85356401
160 mm	G½B	Bottom	Stainless steel 304	1,0	-1/+15 bar	RF160I D401	85357401
160 mm	G½B	Bottom	Stainless steel 304	1,0	0/0.6 bar	RF160I D401	85359401
160 mm	G½B	Bottom	Stainless steel 304	1,0	0/1 bar	RF160I D401	<a href="#">85360401</a>
160 mm	G½B	Bottom	Stainless steel 304	1,0	0/1.6 bar	RF160I D401	<a href="#">85361401</a>
160 mm	G½B	Bottom	Stainless steel 304	1,0	0/2.5 bar	RF160I D401	<a href="#">85362401</a>
160 mm	G½B	Bottom	Stainless steel 304	1,0	0/4 bar	RF160I D401	<a href="#">85363401</a>
160 mm	G½B	Bottom	Stainless steel 304	1,0	0/6 bar	RF160I D401	<a href="#">85364401</a>
160 mm	G½B	Bottom	Stainless steel 304	1,0	0/10 bar	RF160I D401	<a href="#">85365401</a>
160 mm	G½B	Bottom	Stainless steel 304	1,0	0/16 bar	RF160I D401	<a href="#">85366401</a>
160 mm	G½B	Bottom	Stainless steel 304	1,0	0/25 bar	RF160I D401	<a href="#">85367401</a>
160 mm	G½B	Bottom	Stainless steel 304	1,0	0/40 bar	RF160I D401	85368401
160 mm	G½B	Bottom	Stainless steel 304	1,0	0/60 bar	RF160I D401	85369401
160 mm	G½B	Bottom	Stainless steel 304	1,0	0/100 bar	RF160I D401	85370401
160 mm	G½B	Bottom	Stainless steel 304	1,0	0/160 bar	RF160I D401	85371401
160 mm	G½B	Bottom	Stainless steel 304	1,0	0/250 bar	RF160I D401	85372401
160 mm	G½B	Bottom	Stainless steel 304	1,0	0/400 bar	RF160I D401	85373401
160 mm	G½B	Bottom	Stainless steel 304	1,0	0/600 bar	RF160I D401	85374401
160 mm	G½B	Bottom	Stainless steel 304	1,0	0/1,000 bar	RF160I D401	85375401



Blue part no. = in-stock items



**RF100I D411**

Housing ∅	Connection	Alignment	Housing	Accuracy class	Range	Type	Part no.
100 mm	G½B	Bottom back	Stainless steel 304	1,0	-1/0 bar	RF100I D411	85301411
100 mm	G½B	Bottom back	Stainless steel 304	1,0	-1/+0.6 bar	RF100I D411	85302411
100 mm	G½B	Bottom back	Stainless steel 304	1,0	-1/+1.5 bar	RF100I D411	85303411
100 mm	G½B	Bottom back	Stainless steel 304	1,0	-1/+3 bar	RF100I D411	85304411
100 mm	G½B	Bottom back	Stainless steel 304	1,0	-1/+5 bar	RF100I D411	85305411
100 mm	G½B	Bottom back	Stainless steel 304	1,0	-1/+9 bar	RF100I D411	85306411
100 mm	G½B	Bottom back	Stainless steel 304	1,0	-1/+15 bar	RF100I D411	85307411
100 mm	G½B	Bottom back	Stainless steel 304	1,0	0/0.6 bar	RF100I D411	85309411
100 mm	G½B	Bottom back	Stainless steel 304	1,0	0/1 bar	RF100I D411	85310411
100 mm	G½B	Bottom back	Stainless steel 304	1,0	0/1.6 bar	RF100I D411	85311411
100 mm	G½B	Bottom back	Stainless steel 304	1,0	0/2.5 bar	RF100I D411	85312411
100 mm	G½B	Bottom back	Stainless steel 304	1,0	0/4 bar	RF100I D411	85313411
100 mm	G½B	Bottom back	Stainless steel 304	1,0	0/6 bar	RF100I D411	85314411
100 mm	G½B	Bottom back	Stainless steel 304	1,0	0/10 bar	RF100I D411	85315411
100 mm	G½B	Bottom back	Stainless steel 304	1,0	0/16 bar	RF100I D411	85316411
100 mm	G½B	Bottom back	Stainless steel 304	1,0	0/25 bar	RF100I D411	85317411
100 mm	G½B	Bottom back	Stainless steel 304	1,0	0/40 bar	RF100I D411	85318411
100 mm	G½B	Bottom back	Stainless steel 304	1,0	0/60 bar	RF100I D411	85319411
100 mm	G½B	Bottom back	Stainless steel 304	1,0	0/100 bar	RF100I D411	85320411
100 mm	G½B	Bottom back	Stainless steel 304	1,0	0/160 bar	RF100I D411	85321411
100 mm	G½B	Bottom back	Stainless steel 304	1,0	0/250 bar	RF100I D411	85322411
100 mm	G½B	Bottom back	Stainless steel 304	1,0	0/400 bar	RF100I D411	85323411
100 mm	G½B	Bottom back	Stainless steel 304	1,0	0/600 bar	RF100I D411	85324411
100 mm	G½B	Bottom back	Stainless steel 304	1,0	0/1,000 bar	RF100I D411	85325411

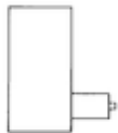


Blue part no. = in-stock items



**RF160I D411**

Housing ∅	Connection	Alignment	Housing	Accuracy class	Range	Type	Part no.
160 mm	G½B	Bottom back	Stainless steel 304	1,0	-1/0 bar	RF160I D411	85351411
160 mm	G½B	Bottom back	Stainless steel 304	1,0	-1/+0.6 bar	RF160I D411	85352411
160 mm	G½B	Bottom back	Stainless steel 304	1,0	-1/+1.5 bar	RF160I D411	85353411
160 mm	G½B	Bottom back	Stainless steel 304	1,0	-1/+3 bar	RF160I D411	85354411
160 mm	G½B	Bottom back	Stainless steel 304	1,0	-1/+5 bar	RF160I D411	85355411
160 mm	G½B	Bottom back	Stainless steel 304	1,0	-1/+9 bar	RF160I D411	85356411
160 mm	G½B	Bottom back	Stainless steel 304	1,0	-1/+15 bar	RF160I D411	85357411
160 mm	G½B	Bottom back	Stainless steel 304	1,0	0/0.6 bar	RF160I D411	85359411
160 mm	G½B	Bottom back	Stainless steel 304	1,0	0/1 bar	RF160I D411	85360411
160 mm	G½B	Bottom back	Stainless steel 304	1,0	0/1.6 bar	RF160I D411	85361411
160 mm	G½B	Bottom back	Stainless steel 304	1,0	0/2.5 bar	RF160I D411	85362411
160 mm	G½B	Bottom back	Stainless steel 304	1,0	0/4 bar	RF160I D411	85363411
160 mm	G½B	Bottom back	Stainless steel 304	1,0	0/6 bar	RF160I D411	85364411
160 mm	G½B	Bottom back	Stainless steel 304	1,0	0/10 bar	RF160I D411	85365411
160 mm	G½B	Bottom back	Stainless steel 304	1,0	0/16 bar	RF160I D411	85366411
160 mm	G½B	Bottom back	Stainless steel 304	1,0	0/25 bar	RF160I D411	85367411
160 mm	G½B	Bottom back	Stainless steel 304	1,0	0/40 bar	RF160I D411	85368411
160 mm	G½B	Bottom back	Stainless steel 304	1,0	0/60 bar	RF160I D411	85369411
160 mm	G½B	Bottom back	Stainless steel 304	1,0	0/100 bar	RF160I D411	85370411
160 mm	G½B	Bottom back	Stainless steel 304	1,0	0/160 bar	RF160I D411	85371411
160 mm	G½B	Bottom back	Stainless steel 304	1,0	0/250 bar	RF160I D411	85372411
160 mm	G½B	Bottom back	Stainless steel 304	1,0	0/400 bar	RF160I D411	85373411
160 mm	G½B	Bottom back	Stainless steel 304	1,0	0/600 bar	RF160I D411	85374411
160 mm	G½B	Bottom back	Stainless steel 304	1,0	0/1,000 bar	RF160I D411	85375411



Blue part no. = in-stock items



**RF100I D431**

Housing $\varnothing$	Connection	Alignment	Housing	Accuracy class	Range	Type	Part no.
100 mm	G $\frac{1}{2}$ B	Bottom back	Stainless steel 304	1,0	-1/0 bar	RF100I D431	85301431
100 mm	G $\frac{1}{2}$ B	Bottom back	Stainless steel 304	1,0	-1/+0.6 bar	RF100I D431	85302431
100 mm	G $\frac{1}{2}$ B	Bottom back	Stainless steel 304	1,0	-1/+1.5 bar	RF100I D431	85303431
100 mm	G $\frac{1}{2}$ B	Bottom back	Stainless steel 304	1,0	-1/+3 bar	RF100I D431	85304431
100 mm	G $\frac{1}{2}$ B	Bottom back	Stainless steel 304	1,0	-1/+5 bar	RF100I D431	85305431
100 mm	G $\frac{1}{2}$ B	Bottom back	Stainless steel 304	1,0	-1/+9 bar	RF100I D431	85306431
100 mm	G $\frac{1}{2}$ B	Bottom back	Stainless steel 304	1,0	-1/+15 bar	RF100I D431	85307431
100 mm	G $\frac{1}{2}$ B	Bottom back	Stainless steel 304	1,0	0/0.6 bar	RF100I D431	85309431
100 mm	G $\frac{1}{2}$ B	Bottom back	Stainless steel 304	1,0	0/1 bar	RF100I D431	85310431
100 mm	G $\frac{1}{2}$ B	Bottom back	Stainless steel 304	1,0	0/1.6 bar	RF100I D431	85311431
100 mm	G $\frac{1}{2}$ B	Bottom back	Stainless steel 304	1,0	0/2.5 bar	RF100I D431	85312431
100 mm	G $\frac{1}{2}$ B	Bottom back	Stainless steel 304	1,0	0/4 bar	RF100I D431	85313431
100 mm	G $\frac{1}{2}$ B	Bottom back	Stainless steel 304	1,0	0/6 bar	RF100I D431	85314431
100 mm	G $\frac{1}{2}$ B	Bottom back	Stainless steel 304	1,0	0/10 bar	RF100I D431	85315431
100 mm	G $\frac{1}{2}$ B	Bottom back	Stainless steel 304	1,0	0/16 bar	RF100I D431	85316431
100 mm	G $\frac{1}{2}$ B	Bottom back	Stainless steel 304	1,0	0/25 bar	RF100I D431	85317431
100 mm	G $\frac{1}{2}$ B	Bottom back	Stainless steel 304	1,0	0/40 bar	RF100I D431	85318431
100 mm	G $\frac{1}{2}$ B	Bottom back	Stainless steel 304	1,0	0/60 bar	RF100I D431	85319431
100 mm	G $\frac{1}{2}$ B	Bottom back	Stainless steel 304	1,0	0/100 bar	RF100I D431	85320431
100 mm	G $\frac{1}{2}$ B	Bottom back	Stainless steel 304	1,0	0/160 bar	RF100I D431	85321431
100 mm	G $\frac{1}{2}$ B	Bottom back	Stainless steel 304	1,0	0/250 bar	RF100I D431	85322431
100 mm	G $\frac{1}{2}$ B	Bottom back	Stainless steel 304	1,0	0/400 bar	RF100I D431	85323431
100 mm	G $\frac{1}{2}$ B	Bottom back	Stainless steel 304	1,0	0/600 bar	RF100I D431	85324431
100 mm	G $\frac{1}{2}$ B	Bottom back	Stainless steel 304	1,0	0/1,000 bar	RF100I D431	85325431



Blue part no. = in-stock items





**RF160I D431**

Housing $\varnothing$	Connection	Alignment	Housing	Accuracy class	Range	Type	Part no.
160 mm	G $\frac{1}{2}$ B	Bottom back	Stainless steel 304	1,0	-1/0 bar	RF160I D431	85351431
160 mm	G $\frac{1}{2}$ B	Bottom back	Stainless steel 304	1,0	-1/+0.6 bar	RF160I D431	85352431
160 mm	G $\frac{1}{2}$ B	Bottom back	Stainless steel 304	1,0	-1/+1.5 bar	RF160I D431	85353431
160 mm	G $\frac{1}{2}$ B	Bottom back	Stainless steel 304	1,0	-1/+3 bar	RF160I D431	85354431
160 mm	G $\frac{1}{2}$ B	Bottom back	Stainless steel 304	1,0	-1/+5 bar	RF160I D431	85355431
160 mm	G $\frac{1}{2}$ B	Bottom back	Stainless steel 304	1,0	-1/+9 bar	RF160I D431	85356431
160 mm	G $\frac{1}{2}$ B	Bottom back	Stainless steel 304	1,0	-1/+15 bar	RF160I D431	85357431
160 mm	G $\frac{1}{2}$ B	Bottom back	Stainless steel 304	1,0	0/0.6 bar	RF160I D431	85359431
160 mm	G $\frac{1}{2}$ B	Bottom back	Stainless steel 304	1,0	0/1 bar	RF160I D431	85360431
160 mm	G $\frac{1}{2}$ B	Bottom back	Stainless steel 304	1,0	0/1.6 bar	RF160I D431	85361431
160 mm	G $\frac{1}{2}$ B	Bottom back	Stainless steel 304	1,0	0/2.5 bar	RF160I D431	85362431
160 mm	G $\frac{1}{2}$ B	Bottom back	Stainless steel 304	1,0	0/4 bar	RF160I D431	85363431
160 mm	G $\frac{1}{2}$ B	Bottom back	Stainless steel 304	1,0	0/6 bar	RF160I D431	85364431
160 mm	G $\frac{1}{2}$ B	Bottom back	Stainless steel 304	1,0	0/10 bar	RF160I D431	85365431
160 mm	G $\frac{1}{2}$ B	Bottom back	Stainless steel 304	1,0	0/16 bar	RF160I D431	85366431
160 mm	G $\frac{1}{2}$ B	Bottom back	Stainless steel 304	1,0	0/25 bar	RF160I D431	85367431
160 mm	G $\frac{1}{2}$ B	Bottom back	Stainless steel 304	1,0	0/40 bar	RF160I D431	85368431
160 mm	G $\frac{1}{2}$ B	Bottom back	Stainless steel 304	1,0	0/60 bar	RF160I D431	85369431
160 mm	G $\frac{1}{2}$ B	Bottom back	Stainless steel 304	1,0	0/100 bar	RF160I D431	85370431
160 mm	G $\frac{1}{2}$ B	Bottom back	Stainless steel 304	1,0	0/160 bar	RF160I D431	85371431
160 mm	G $\frac{1}{2}$ B	Bottom back	Stainless steel 304	1,0	0/250 bar	RF160I D431	85372431
160 mm	G $\frac{1}{2}$ B	Bottom back	Stainless steel 304	1,0	0/400 bar	RF160I D431	85373431
160 mm	G $\frac{1}{2}$ B	Bottom back	Stainless steel 304	1,0	0/600 bar	RF160I D431	85374431
160 mm	G $\frac{1}{2}$ B	Bottom back	Stainless steel 304	1,0	0/1,000 bar	RF160I D431	85375431

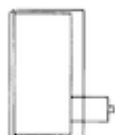


Blue part no. = in-stock items



**RF100I D451**

Housing ∅	Connection	Alignment	Housing	Accuracy class	Range	Type	Part no.
100 mm	G½B	Bottom back	Stainless steel 304	1,0	-1/0 bar	RF100I D451	85301451
100 mm	G½B	Bottom back	Stainless steel 304	1,0	-1/+0.6 bar	RF100I D451	85302451
100 mm	G½B	Bottom back	Stainless steel 304	1,0	-1/+1.5 bar	RF100I D451	85303451
100 mm	G½B	Bottom back	Stainless steel 304	1,0	-1/+3 bar	RF100I D451	85304451
100 mm	G½B	Bottom back	Stainless steel 304	1,0	-1/+5 bar	RF100I D451	85305451
100 mm	G½B	Bottom back	Stainless steel 304	1,0	-1/+9 bar	RF100I D451	85306451
100 mm	G½B	Bottom back	Stainless steel 304	1,0	-1/+15 bar	RF100I D451	85307451
100 mm	G½B	Bottom back	Stainless steel 304	1,0	0/0.6 bar	RF100I D451	85309451
100 mm	G½B	Bottom back	Stainless steel 304	1,0	0/1 bar	RF100I D451	85310451
100 mm	G½B	Bottom back	Stainless steel 304	1,0	0/1.6 bar	RF100I D451	85311451
100 mm	G½B	Bottom back	Stainless steel 304	1,0	0/2.5 bar	RF100I D451	85312451
100 mm	G½B	Bottom back	Stainless steel 304	1,0	0/4 bar	RF100I D451	85313451
100 mm	G½B	Bottom back	Stainless steel 304	1,0	0/6 bar	RF100I D451	85314451
100 mm	G½B	Bottom back	Stainless steel 304	1,0	0/10 bar	RF100I D451	85315451
100 mm	G½B	Bottom back	Stainless steel 304	1,0	0/16 bar	RF100I D451	85316451
100 mm	G½B	Bottom back	Stainless steel 304	1,0	0/25 bar	RF100I D451	85317451
100 mm	G½B	Bottom back	Stainless steel 304	1,0	0/40 bar	RF100I D451	85318451
100 mm	G½B	Bottom back	Stainless steel 304	1,0	0/60 bar	RF100I D451	85319451
100 mm	G½B	Bottom back	Stainless steel 304	1,0	0/100 bar	RF100I D451	85320451
100 mm	G½B	Bottom back	Stainless steel 304	1,0	0/160 bar	RF100I D451	85321451
100 mm	G½B	Bottom back	Stainless steel 304	1,0	0/250 bar	RF100I D451	85322451
100 mm	G½B	Bottom back	Stainless steel 304	1,0	0/400 bar	RF100I D451	85323451
100 mm	G½B	Bottom back	Stainless steel 304	1,0	0/600 bar	RF100I D451	85324451
100 mm	G½B	Bottom back	Stainless steel 304	1,0	0/1,000 bar	RF100I D451	85325451

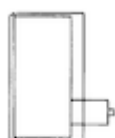


Blue part no. = in-stock items



**RF160I D451**

Housing ∅	Connection	Alignment	Housing	Accuracy class	Range	Type	Part no.
160 mm	G½B	Bottom back	Stainless steel 304	1,0	-1/0 bar	RF160I D451	85351451
160 mm	G½B	Bottom back	Stainless steel 304	1,0	-1/+0.6 bar	RF160I D451	85352451
160 mm	G½B	Bottom back	Stainless steel 304	1,0	-1/+1.5 bar	RF160I D451	85353451
160 mm	G½B	Bottom back	Stainless steel 304	1,0	-1/+3 bar	RF160I D451	85354451
160 mm	G½B	Bottom back	Stainless steel 304	1,0	-1/+5 bar	RF160I D451	85355451
160 mm	G½B	Bottom back	Stainless steel 304	1,0	-1/+9 bar	RF160I D451	85356451
160 mm	G½B	Bottom back	Stainless steel 304	1,0	-1/+15 bar	RF160I D451	85357451
160 mm	G½B	Bottom back	Stainless steel 304	1,0	0/0.6 bar	RF160I D451	85359451
160 mm	G½B	Bottom back	Stainless steel 304	1,0	0/1 bar	RF160I D451	85360451
160 mm	G½B	Bottom back	Stainless steel 304	1,0	0/1.6 bar	RF160I D451	85361451
160 mm	G½B	Bottom back	Stainless steel 304	1,0	0/2.5 bar	RF160I D451	85362451
160 mm	G½B	Bottom back	Stainless steel 304	1,0	0/4 bar	RF160I D451	85363451
160 mm	G½B	Bottom back	Stainless steel 304	1,0	0/6 bar	RF160I D451	85364451
160 mm	G½B	Bottom back	Stainless steel 304	1,0	0/10 bar	RF160I D451	85365451
160 mm	G½B	Bottom back	Stainless steel 304	1,0	0/16 bar	RF160I D451	85366451
160 mm	G½B	Bottom back	Stainless steel 304	1,0	0/25 bar	RF160I D451	85367451
160 mm	G½B	Bottom back	Stainless steel 304	1,0	0/40 bar	RF160I D451	85368451
160 mm	G½B	Bottom back	Stainless steel 304	1,0	0/60 bar	RF160I D451	85369451
160 mm	G½B	Bottom back	Stainless steel 304	1,0	0/100 bar	RF160I D451	85370451
160 mm	G½B	Bottom back	Stainless steel 304	1,0	0/160 bar	RF160I D451	85371451
160 mm	G½B	Bottom back	Stainless steel 304	1,0	0/250 bar	RF160I D451	85372451
160 mm	G½B	Bottom back	Stainless steel 304	1,0	0/400 bar	RF160I D451	85373451
160 mm	G½B	Bottom back	Stainless steel 304	1,0	0/600 bar	RF160I D451	85374451
160 mm	G½B	Bottom back	Stainless steel 304	1,0	0/1,000 bar	RF160I D451	85375451



Blue part no. = in-stock items