



## CapFox® EFT 20



### Application

Capacitance level indicator with 2-wire or 3-wire technology for continuous level measurement of liquids and bulk solids (flour, sand, cement, plastic granules) in open and closed container, tanks or silos. Particularly suitable for low tank heights.

### Versions

#### CapFox® EFT 20 MS

Model / series	Process connection	Part no.
CapFox® EFT 20 MS -20 ST	G1B	5655020ST-L-1B01
CapFox® EFT 20 MS -20 ST	G¾B	5655020ST-L-2B01
CapFox® EFT 20 MS -20 ST	–	5655020ST-L-3B01
CapFox® EFT 20 MS -20 ST	–	5655020ST-L-4B01
CapFox® EFT 20 MS -20 ST	–	5655020ST-L-5B01
CapFox® EFT 20 MS -20 HT	G1B	5655020HT-L-1B01
CapFox® EFT 20 MS -20 HT	G¾B	5655020HT-L-2B01
CapFox® EFT 20 MS -20 HT	–	5655020HT-L-3B01
CapFox® EFT 20 MS -20 HT	–	5655020HT-L-4B01
CapFox® EFT 20 MS -20 HT	–	5655020HT-L-5B01
CapFox® EFT 20 MS -21 ST	G1B	5655021ST-L-1B01

Blue part no. = in-stock items



Model / series	Process connection	Part no.
CapFox® EFT 20 MS -21 ST	G¾B	5655021ST-L-2B01
CapFox® EFT 20 MS -21 ST	-	5655021ST-L-3B01
CapFox® EFT 20 MS -21 ST	-	5655021ST-L-4B01
CapFox® EFT 20 MS -21 ST	-	5655021ST-L-5B01
CapFox® EFT 20 MS -21 HT	G1B	5655021HT-L-1B01
CapFox® EFT 20 MS -21 HT	G¾B	5655021HT-L-2B01
CapFox® EFT 20 MS -21 HT	-	5655021HT-L-3B01
CapFox® EFT 20 MS -21 HT	-	5655021HT-L-4B01
CapFox® EFT 20 MS -21 HT	-	5655021HT-L-5B01
CapFox® EFT 20 MS -22 ST	G1B	5655022ST-L-1B01
CapFox® EFT 20 MS -22 ST	G¾B	5655022ST-L-2B01
CapFox® EFT 20 MS -22 ST	-	5655022ST-L-3B01
CapFox® EFT 20 MS -22 ST	-	5655022ST-L-4B01
CapFox® EFT 20 MS -22 ST	-	5655022ST-L-5B01
CapFox® EFT 20 MS -22 HT	G1B	5655022HT-L-1B01
CapFox® EFT 20 MS -22 HT	G¾B	5655022HT-L-2B01
CapFox® EFT 20 MS -22 HT	-	5655022HT-L-3B01
CapFox® EFT 20 MS -22 HT	-	5655022HT-L-4B01
CapFox® EFT 20 MS -22 HT	-	5655022HT-L-5B01

Blue part no. = in-stock items

### CapFox® EFT 20 KX

Model / series	Process connection	Part no.
CapFox® EFT 20 KX -40 ST	G1B	5655040ST-L-1B01
CapFox® EFT 20 KX -40 ST	G¾B	5655040ST-L-2B01
CapFox® EFT 20 KX -40 ST	-	5655040ST-L-3B01
CapFox® EFT 20 KX -40 ST	-	5655040ST-L-4B01
CapFox® EFT 20 KX -40 ST	-	5655040ST-L-5B01
CapFox® EFT 20 KX -40 HT	G1B	5655040HT-L-1B01
CapFox® EFT 20 KX -40 HT	G¾B	5655040HT-L-2B01

Blue part no. = in-stock items



Model / series	Process connection	Part no.
CapFox® EFT 20 KX -40 HT	–	5655040HT-L-3B01
CapFox® EFT 20 KX -40 HT	–	5655040HT-L-4B01
CapFox® EFT 20 KX -40 HT	–	5655040HT-L-5B01
CapFox® EFT 20 KX -41 ST	G1B	5655041ST-L-1B01
CapFox® EFT 20 KX -41 ST	G¾B	5655041ST-L-2B01
CapFox® EFT 20 KX -41 ST	–	5655041ST-L-3B01
CapFox® EFT 20 KX -41 ST	–	5655041ST-L-4B01
CapFox® EFT 20 KX -41 ST	–	5655041ST-L-5B01
CapFox® EFT 20 KX -41 HT	G1B	5655041HT-L-1B01
CapFox® EFT 20 KX -41 HT	G¾B	5655041HT-L-2B01
CapFox® EFT 20 KX -41 HT	–	5655041HT-L-3B01
CapFox® EFT 20 KX -41 HT	–	5655041HT-L-4B01
CapFox® EFT 20 KX -41 HT	–	5655041HT-L-5B01

Blue part no. = in-stock items

### CapFox® EFT 20 MF

Model / series	Process connection	Part no.
CapFox® EFT 20 MF -60 ST	G1B	5655060ST-L-1B01
CapFox® EFT 20 MF -60 ST	G¾B	5655060ST-L-2B01
CapFox® EFT 20 MF -60 ST	–	5655060ST-L-3B01
CapFox® EFT 20 MF -60 ST	–	5655060ST-L-4B01
CapFox® EFT 20 MF -60 ST	–	5655060ST-L-5B01
CapFox® EFT 20 MF -60 HT	G1B	5655060HT-L-1B01
CapFox® EFT 20 MF -60 HT	G¾B	5655060HT-L-2B01
CapFox® EFT 20 MF -60 HT	–	5655060HT-L-3B01
CapFox® EFT 20 MF -60 HT	–	5655060HT-L-4B01
CapFox® EFT 20 MF -60 HT	–	5655060HT-L-5B01

Blue part no. = in-stock items

## Description

The capacitance level indicator CapFox® EFT 20 detects the change in electrical capacitance caused by the change in level and converts the amount of change into a current signal (4–20 mA) or a voltage signal (0–10 V). The electronics module is contained in a robust stainless steel



housing. Flexible probes or rod probes are available as measurement electrode. For level measurement of adhesive, corrosive or electrically conductive media, the electrodes are available with an insulating coating. If media are stored in tanks made of non-conductive materials or in open containers, the probes must be equipped with an additional coax reference pipe.

## Technical specifications

### Indicator

LED green: Operation

### Operating temperature range

Medium: -40/+300 °C

Flange

-40 °C 85 °C

-40/+200 °C

Ambient: -30/+85 °C

### Process connection

G1B

G $\frac{3}{4}$ B

G $\frac{1}{2}$ B

### Material

Housing: Stainless steel 304

Probe

MS: Stainless steel 316 L

KX: Stainless steel 304

MF: Stainless steel 316

### Supply voltage

DC 9 – 34 V

### Output signal

4–20 mA, 2-wire

### Current input

Max. 20.4 mA

### Degree of protection

IP 68 (EN 60529)

### Electrical connection

Cable gland M12 x

1.5

Cable length: 2 m

### Weight

Approx. 0.3 kg

Approx. 0.6 kg

### Scope of delivery

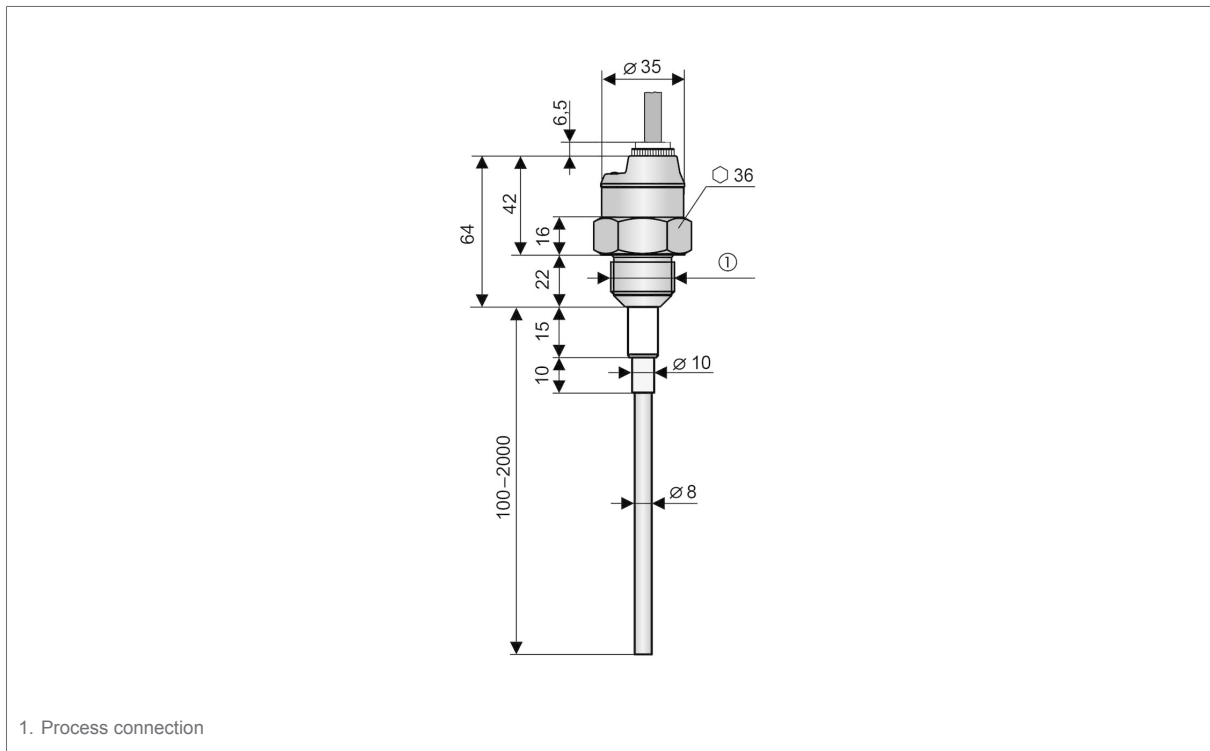
- Magnetic pin

## Options

- Other process connections
- FEP/PFA coatings
- Ex II 1 G Ex ia IIB T4 Ga
- Ex II 1/2 D Ex ia IIIC T120°C Da/Db
- Ex M1 Ex ia I Ma



Detail views



Technical drawings

